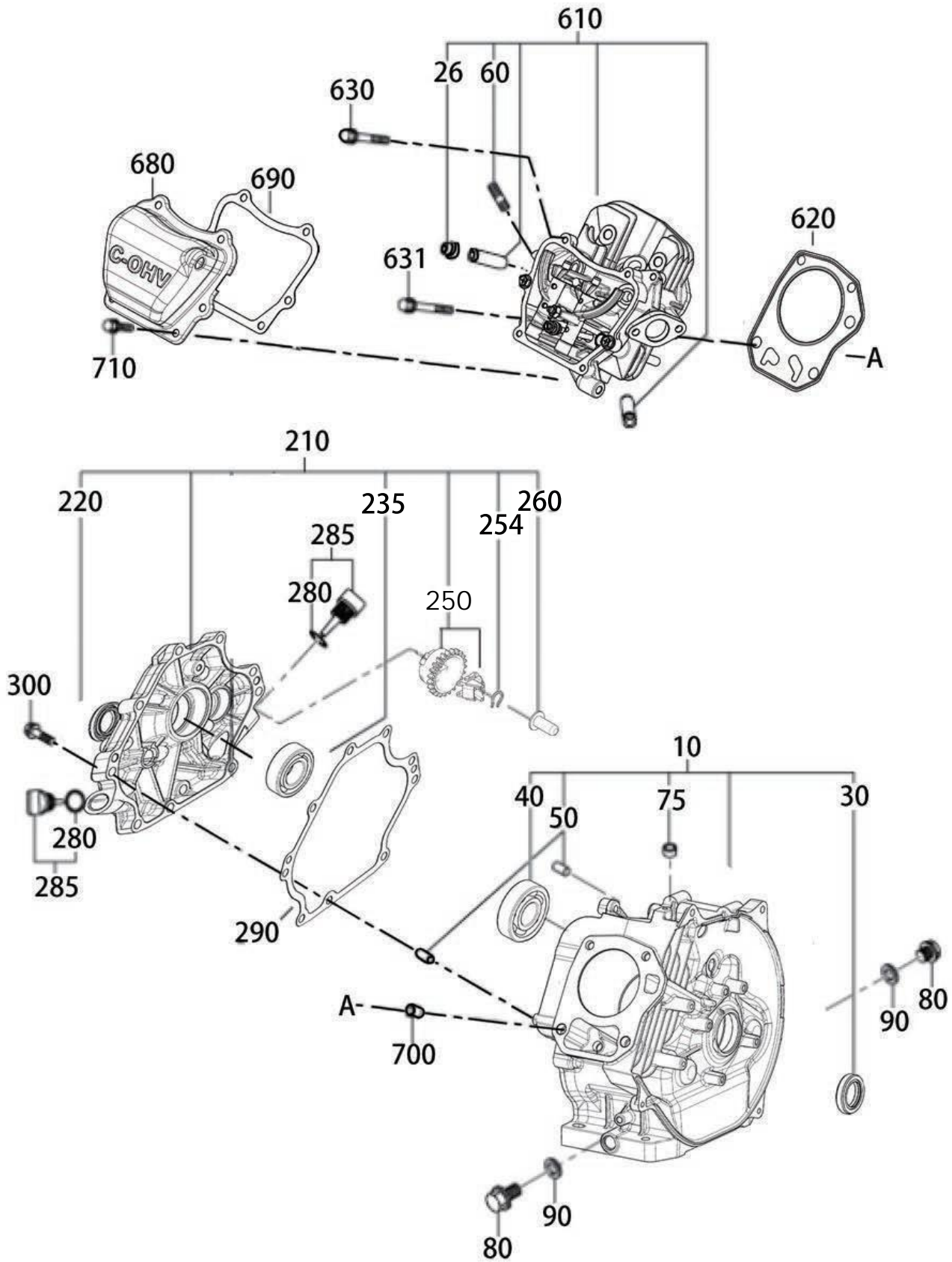


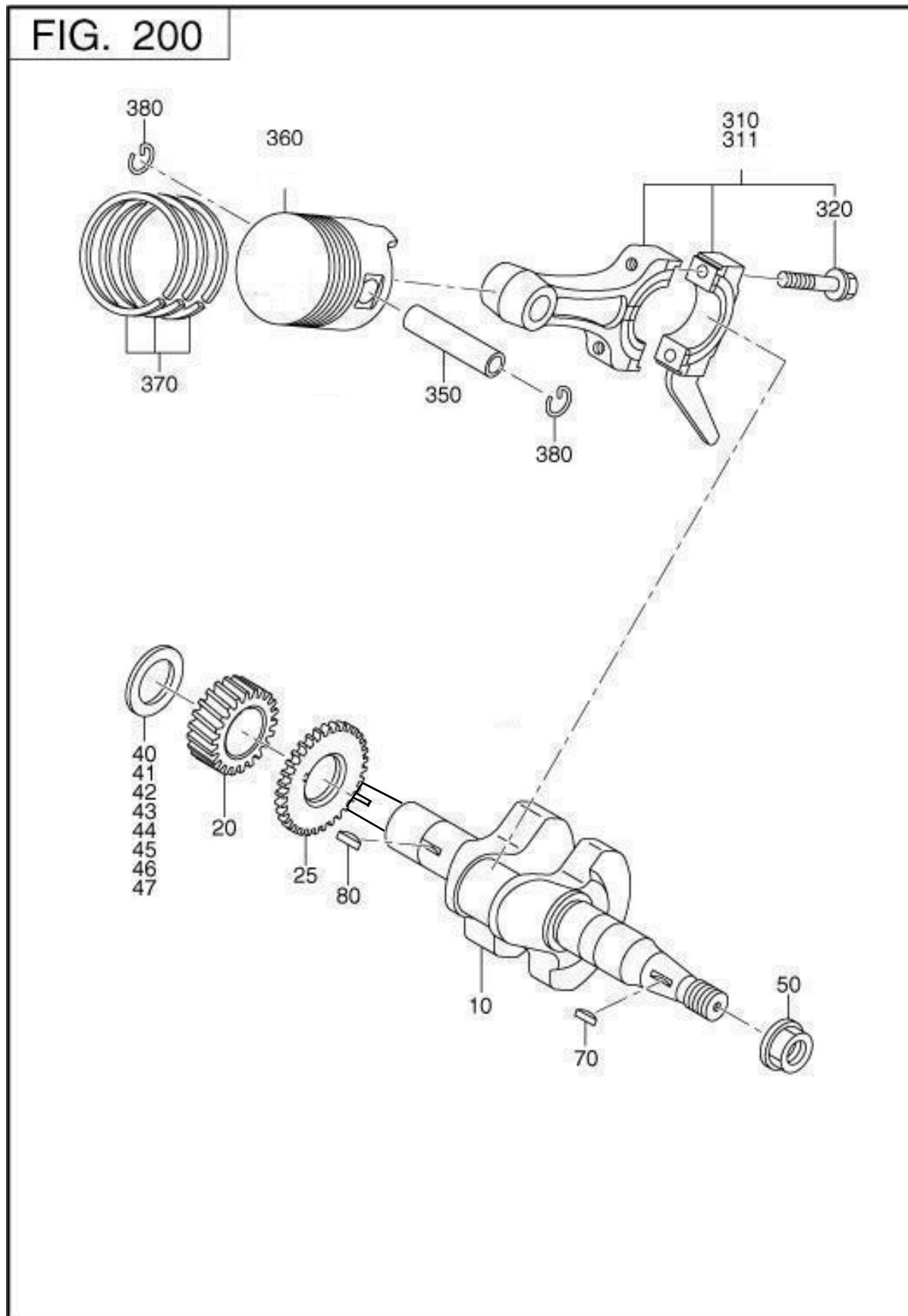
1 CRANK CASE GROUP

FIG. 100



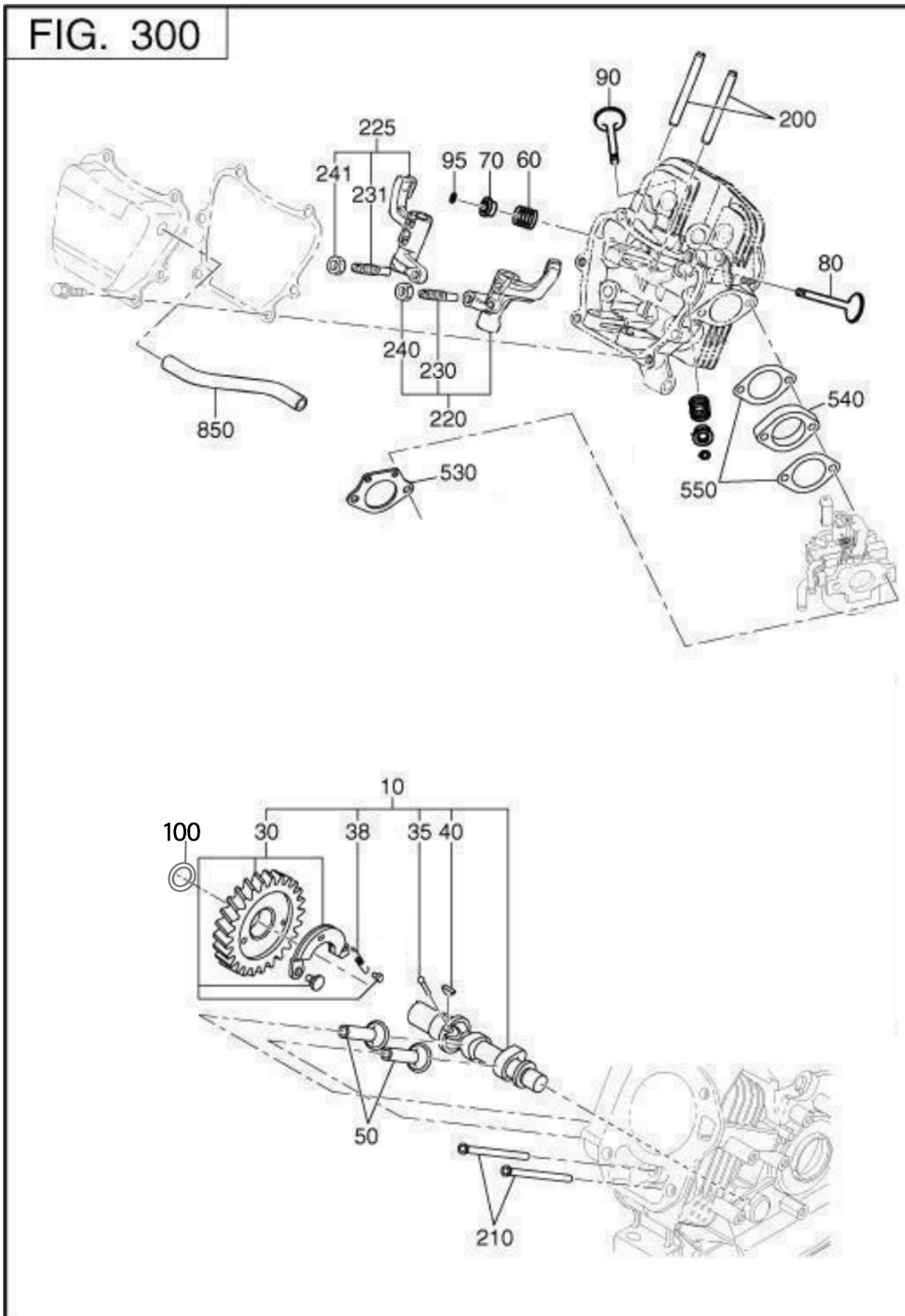
REF.	PART NUMBER	PART NAME	CODE NO.	QTY	REMARKS	INTERCHANGE
10	21J-10102-H1	CRANK CASE CP	-	1		
26	21J-16011-H3	STEM SEAL	-	1		
30	21J-19902-H3	OIL SEAL	-	1		
40	21J-19911-H3	BALL BEARING	-	1		
50	21J-19912-H3	DOWEL PIN	-	2		
60	21J-19904-H3	STUD	-	2		
75	21J-19901-H3	OIL SEAL	-	1		
80	20F-11400-30	PLUG(DRAIN)	-	2		
90	X21-11400-31	GASKET(DRAIN)	-	2		
210	21J-11001-H0	MAINBEARING COVER AY	-	1		
220	X44-02501-60	OIL SEAL	-	1		
230	X60-01500-70	BALL BEARING	-	1		
235	X60-02501-80	BALL BEARING	-	1		
240	X60-02501-80	BALL BEARING	-	1		
250	21J-45001-H1	GOVERNOR GEAR CP	-	1		
254	22D-45003-J3	CLIP(GOVERNOR)	-	1		
260	21J-41901-H3	GOVERNOR SLEEVE	-	1		
280	X21-31600-30	O RING	-	2		
285	21J-63601-H1	OIL GAUGE CP	-	2		
290	21J-16001-H3	GASKET(M.B. COVER)	-	1		
300	X11-00804-90	FLANGE BOLT	-	9	M8X1.25X16DX30L	
610	21J-13001-H0	CYLINDER HEAD AY	-	1		
620	21J-15001-H3	GASKET(HEAD)	-	1		
630	21J-19908-H3	FLANGE BOLT	-	2		
631	21J-19909-H3	FLANGE BOLT	-	2		
680	21J-15501-H1	ROCKER COVER CP	-	1		
690	21J-16002-H3	GASKET(ROCKER COVER)	-	1		
700	21J-15011-H3	PIPE KNOCK	-	2		
710	20F-00600-21	BOLT AND WASHER AY	-	6		
		GASKET SET		1		

2 CRANK,PISTON GROUP



REF.	PART NUMBER	PART NAME	CODE NO.	QTY	REMARKS	INTERCHANGE
10	21J-20111-H3	CRANKSHAFT	-	1		
20	21J-22302-H3	CRANK SHAFT GEAR	-	1		
25	21J-24201-H3	BALANCER GEAR	-	1		
40	X23-02501-70	SPACER(CRANK 20)	-	1		
50	X18-01400-20	FLANGE NUT	-	1		
70	21J-29902-H3	WOODRUFF KEY	-	1		
80	21J-29903-H3	WOODRUFF KEY	-	1		
310	21J-22501-H0	CONNECTING ROD AY	-	1		
320	21J-23001-H3	CONNECTING ROD BOLT	-	2	M6X1. 0X13DX33L	
350	21J-23301-H3	PISTON PIN	-	1		
360	21J-23411-H3	PISTON	-	1		
370		PISTON RING SET	-	1		
380	21J-25101-H3	PISTON CLIP	-	2		

3 INTAKE,EXHAUST GROUP

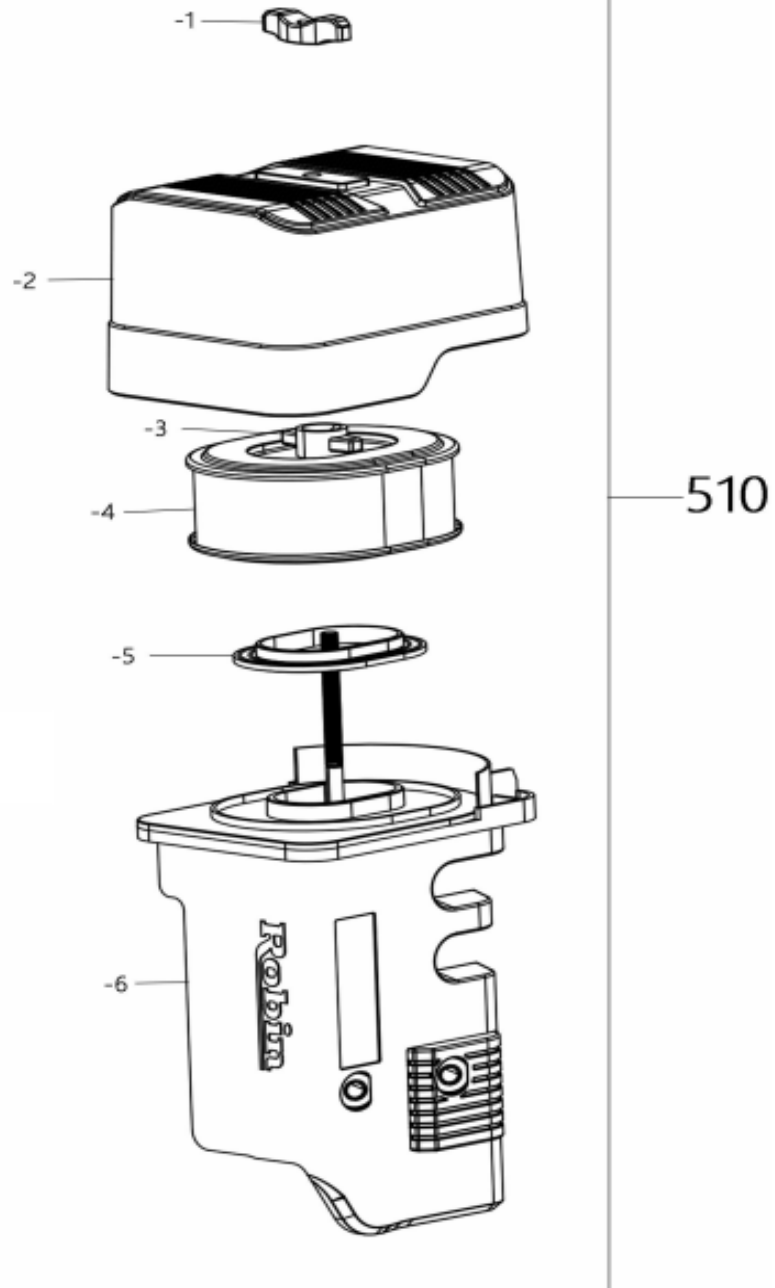


EK170DC4000 FIG.300

REF.	PART NUMBER	PART NAME	CODE NO.	QTY	REMARKS	INTERCHANGE
10	21J-31703-H1	CAM SHAFT CP	-	1		
30	21J-33201-H1	CAM SHAFT GEAR CP	-	1		
35	21J-36803-H3	PIN(DECOMP)	-	1		
38	21J-36701-H3	RETURN SPRING	-	1		
40	21J-39901-H3	WOODRUFF KEY	-	1		
50	21J-33301-H3	TAPPET	-	2		
60	21J-33601-H3	VALVE SPRING	-	2		
70	21J-33701-H3	SPRING RETAINER	-	2		
80	21J-33401-H3	INTAKE VALVE	-	1		
90	21J-33501-H3	EXHAUST VALVE	-	1		
95	21J-35501-H3	COLLET VALVE	-	2		
100	X23-02501-70	SPACER(CRANK 20)	-	1		
200	21J-35001-H3	ROCKER SHAFT	-	2		
210	21J-35301-H3	PUSH ROD	-	2		
220	21J-36101-H0	ROCKER ARM(IN) AY	-	1		
225	21J-36102-H0	ROCKER ARM(EX) AY	-	1		
230	21J-36301-H3	ADJUSTING SCREW	-	1		
231	21J-36301-H3	ADJUSTING SCREW	-	1		
240	21J-39903-H3	NUT	-	1		
241	21J-39903-H3	NUT	-	1		
530	21J-35901-H3	GASKET(CLEANER)	-	1		
540	21J-32901-H3	INSULATOR	-	1		
550	21J-35902-H3	GASKET(INSULATOR)		2		
850	21J-18002-H3	BREATHER PIPE	-	1		

3 INTAKE,EXHAUST GROUP

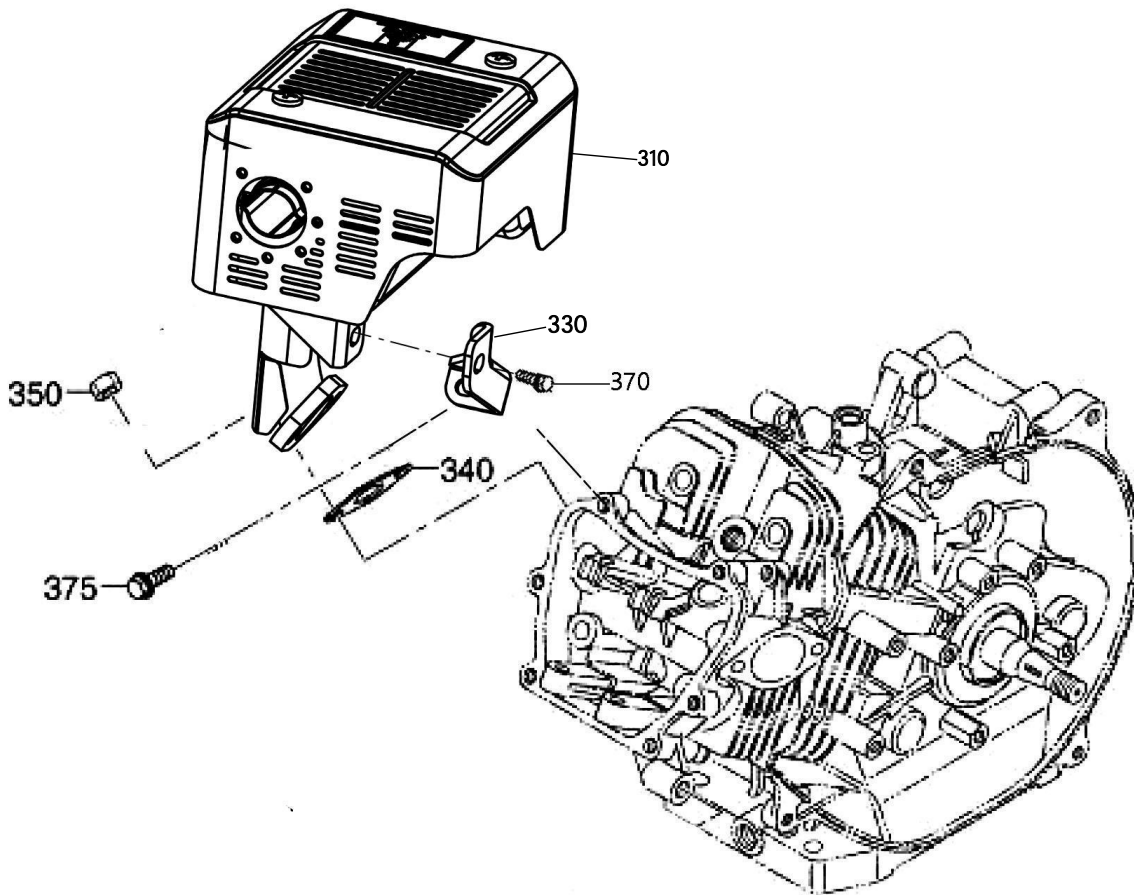
FIG. 317



REF.	PART NUMBER	PART NAME	CODE NO.	QTY	REMARKS	INTERCHANGE
510	21J-32601-H0	AIR CLEANER AY	-	1		
- 1		CAP NUT	-	1		
- 2		TOP COVER	-	1		
- 3		CAP NUT	-	1		
- 4		RUBBER PIPE	-	1		
- 5		SEALING WASHER	-	1		
- 6		BASE	-	1		

3 INTAKE,EXHAUST GROUP

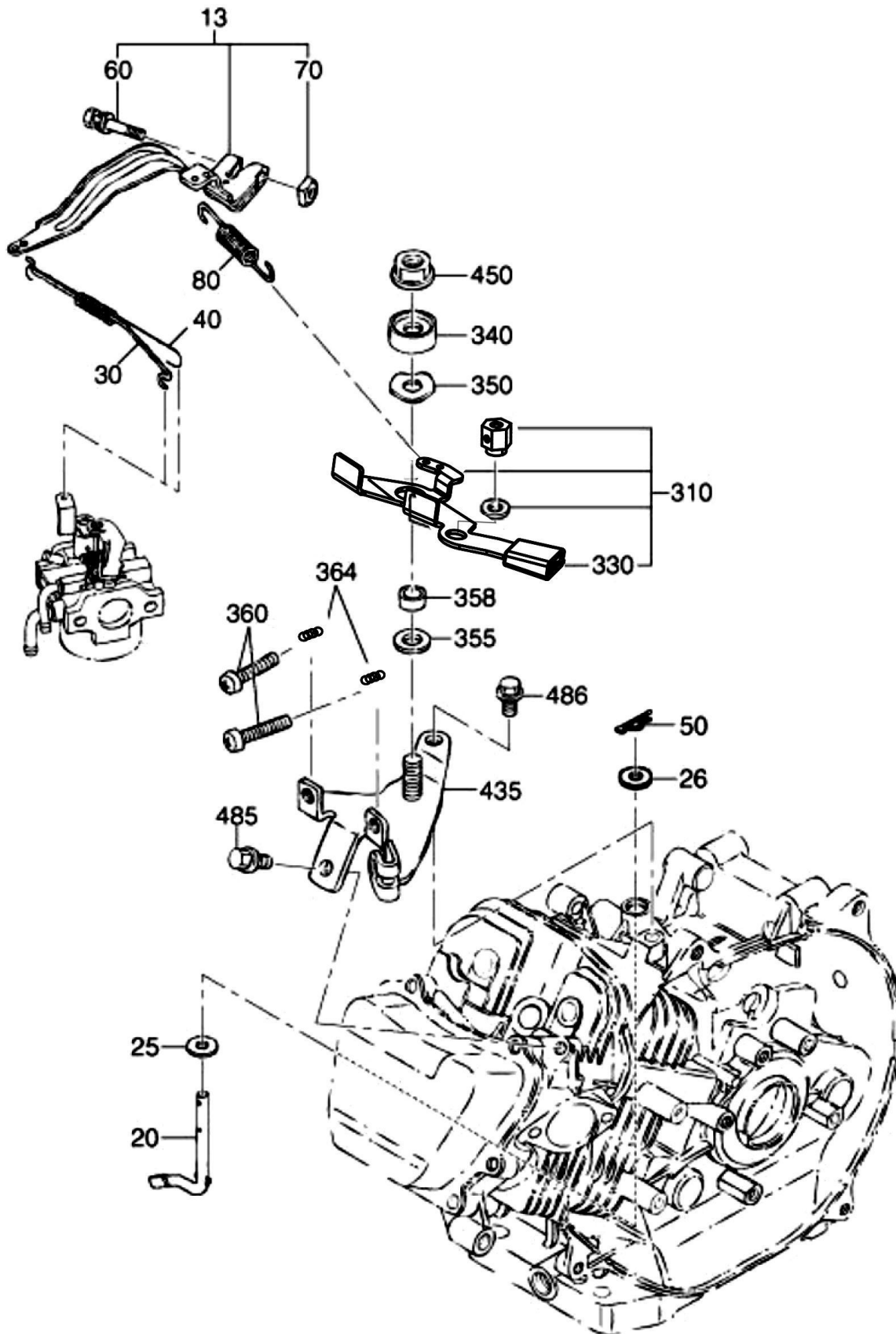
FIG. 330



REF.	PART NUMBER	PART NAME	CODE NO.	QTY	REMARKS	INTERCHANGE
310	21J-30101-H1	MUFFLER CP	-	1		
330	21J-38001-H3	BRACKET(MUFFLER)	-	1		
340	21J-35201-H3	GASKET(MUFFLER)	-	1		
350	X17-60800-20	SELF LOCK NUT	-	2		
370	20F-04081-60	FLANGE BOLT	-	1		
375	20F-00600-21	FLANGE BOLT	-	1		

4 GOVERNOR GROUP

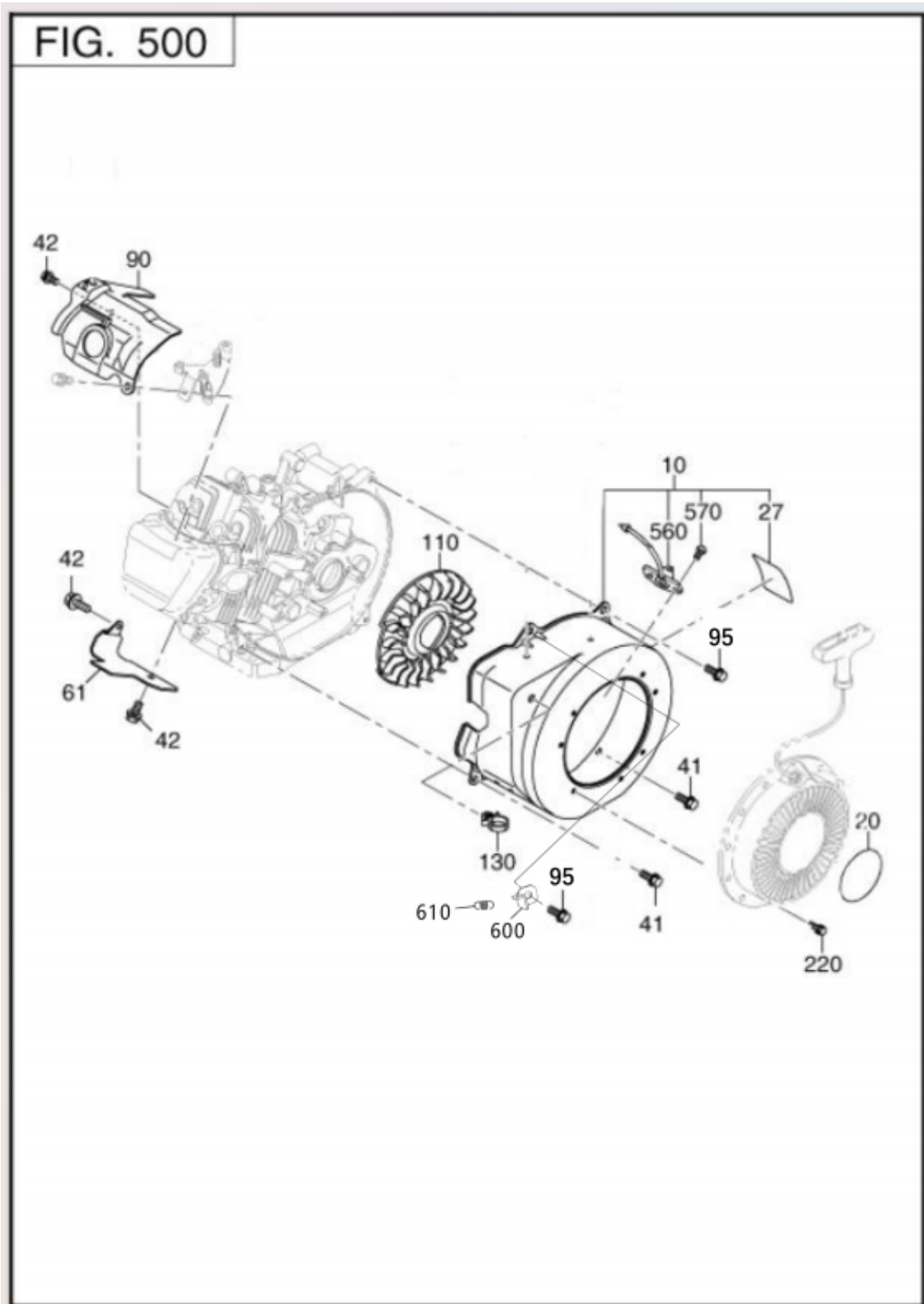
FIG. 400



EK170DC4000 FIG.400

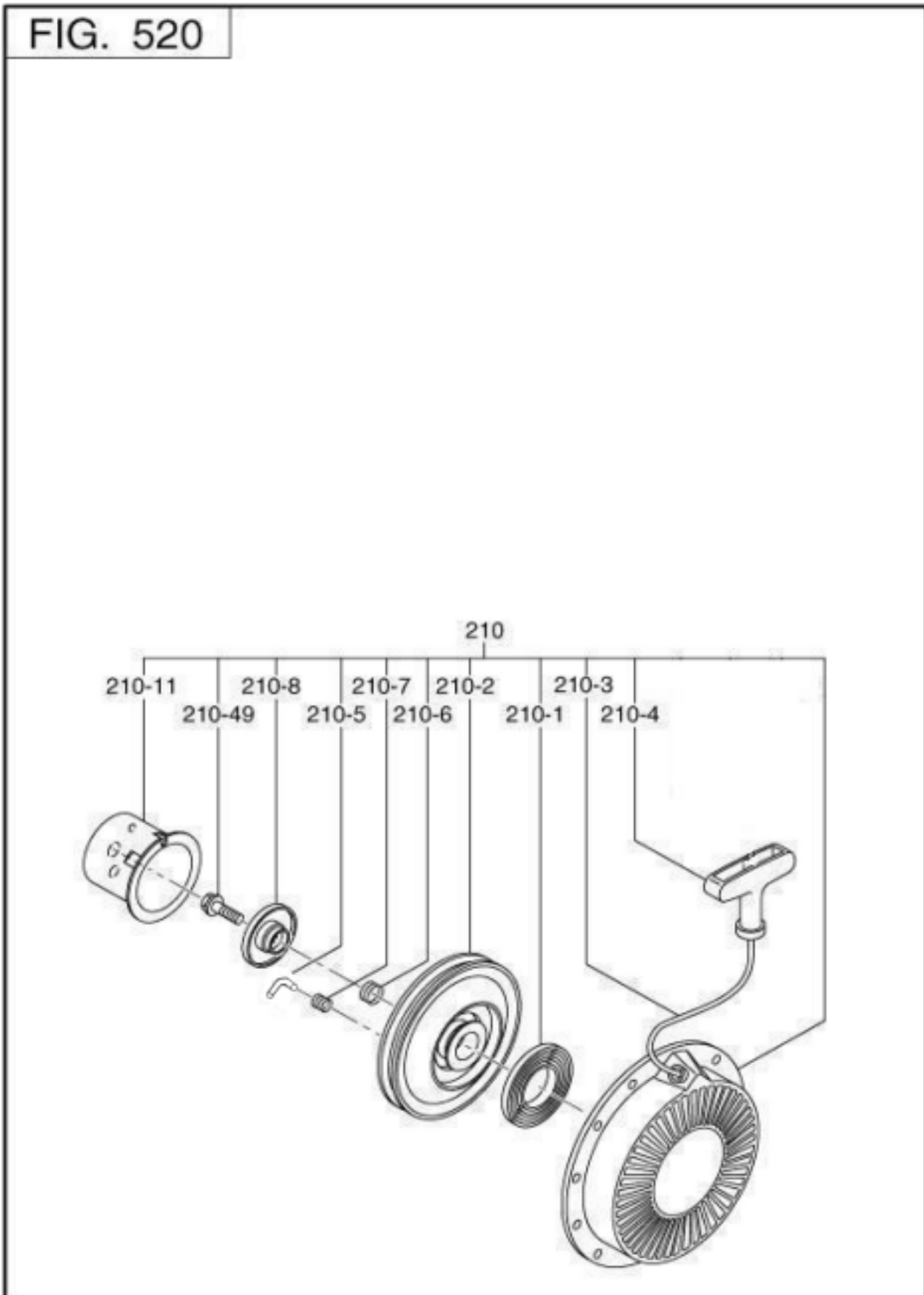
REF.	PART NUMBER	PART NAME	CODE NO.	QTY	REMARKS	INTERCHANGE
13	21J-42302-H0	GOVERNOR LEVER AY	-	1		
20	21J-42201-H3	GOVERNOR SHAFT	-	1		
25	X03-11060-00	WASHER	-	1		
26	X03-11060-10	WASHER	-	1		
30	21J-42701-H3	GOVERNOR ROD	-	1		
40	21J-42801-H3	ROD SPRING	-	1		
50	X05-11050-01	SNAP PIN	-	1		
60	20F-14063-00	BOLT AND WASHER AY	-	1		
70	21J-49906-H3	NUT	-	1		
80	21J-42502-H3	GOVERNOR SPRING	-	1		
310	21J-43308-H1	SPEED CONT. LEVER CP	-	1		
330	21J-43308-H3	SPEED CONTROL LEVER	-	1		
340	22D-49901-H3	PLATE(PRESSURE)	-	1		
350	22A-49903-03	WAVED WASHER	-	1		
355	X20-10802-40	WASHER	-	1		
358	22D-49902-H3	COLLAR	-	1		
360	X14-00501-10	SCREW	-	2		
364	X83-00000-20	COIL SPRING	-	2		
435	21J-46503-H2	BRACKET UN(SPD CTL)	-	1		
450	X17-60800-40	SELF LOCK NUT	-	1		
485	20F-13061-60	TAPPING BOLT	-	1		
486	20F-13061-60	TAPPING BOLT	-	1		
500	21J-47001-H3	COIL SPRING	-	1		
510	22D-47001-H1	BRACKET	-	1		

5 COOLING,STARTING GR



REF.	PART NUMBER	PART NAME	CODE NO.	QTY	REMARKS	INTERCHANGE
10	21J-51501-H1	BLOWER HOUSING CP	-	1		
20	X73-20051-70	LABEL(TRADE MARK)	-	1		
27	21J-91873-H3	LABEL(ENGINE NAME)	-	1		
41	20F-00600-21	FLANGE BOLT	-	2		
42	20F-00600-21	FLANGE BOLT	-	3		
61	21J-52701-H3	CYLINDER BAFFLE 2	-	1		
90	21J-52601-H3	CYLINDER BAFFLE 1	-	1		
95	X11-00805-00	TAPPING BOLT	-	2		
110	21K-54101-H3	COOLING BLOWER	-	1		
130	21J-59908-03	CLAME (HOSE)	-	1		
220	20F-00600-10	FLANGE BOLT	-	4		
560	X66-00005-10	SWITCH AY	-	1		
570	20F-00400-90	TAPPING SCREW	-	2		
600	22D-47001-H1	BRACKET	-	1		
610	21J-47001-H3	COIL SPRING	-	1		

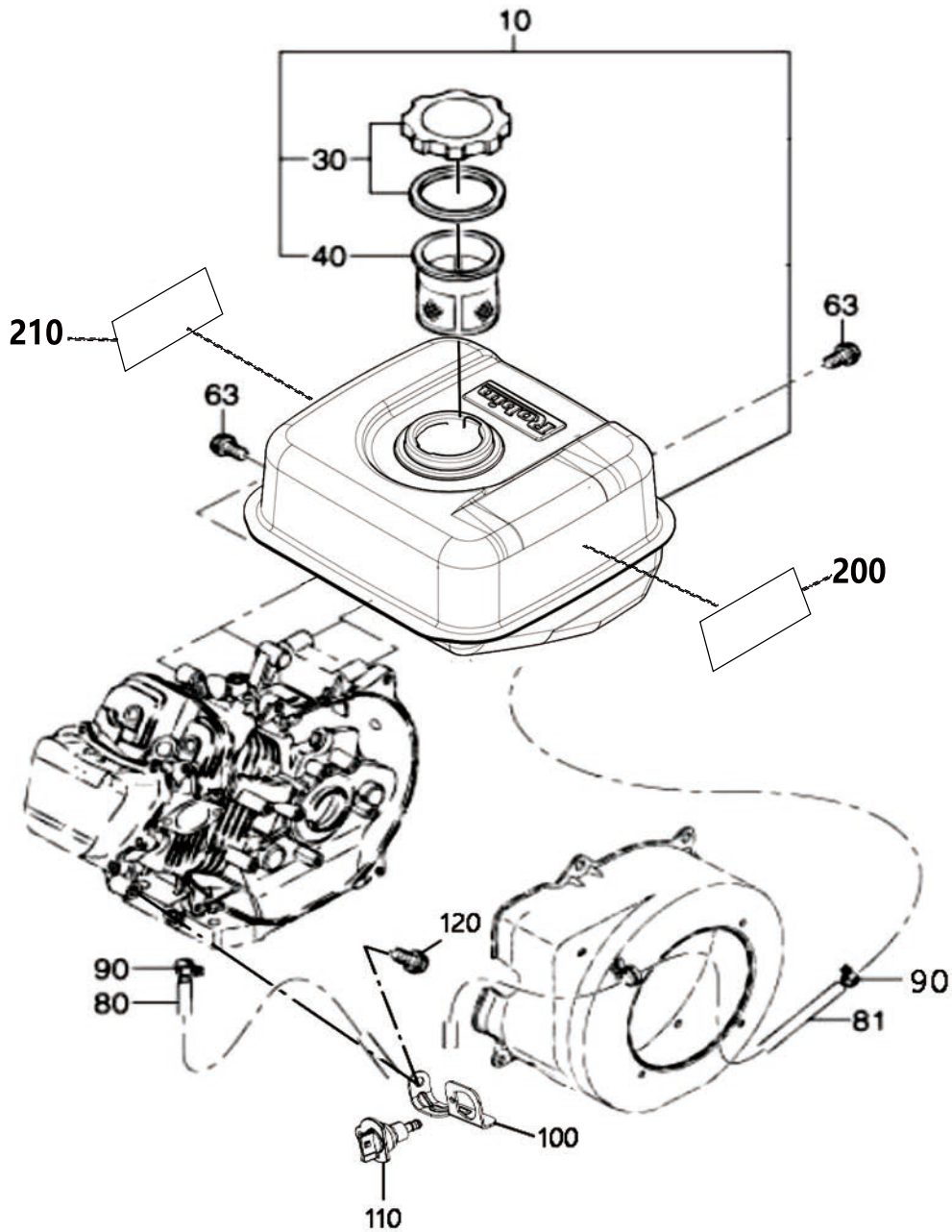
5 COOLING,STARTING GR



REF.	PART NUMBER	PART NAME	CODE NO.	QTY	REMARKS	INTERCHANGE
210	21J-50201-H0	RECOIL STARTER AY	-	1		
- 1	274-50115-H8	SPIRAL SPRING	-	1		
- 2	21J-50120-H8	REEL	-	1		
- 3	270-50110-H8	STARTER ROPE	-	1		
- 4	21J-50102-H8	STARTER KNOB	-	1		
- 5	161-50125-H8	RATCHET	-	2		
- 6	227-50131-H8	FRICTION SPRING	-	1		
- 7	227-50135-H8	RETURN SPRING	-	2		
- 8	21J-50162-H8	RATCHET GUIDE	-	1		
- 11	21J-50150-H8	STARTER PULLEY	-	1		
- 49	227-50152-H8	SET SCREW	-	1		

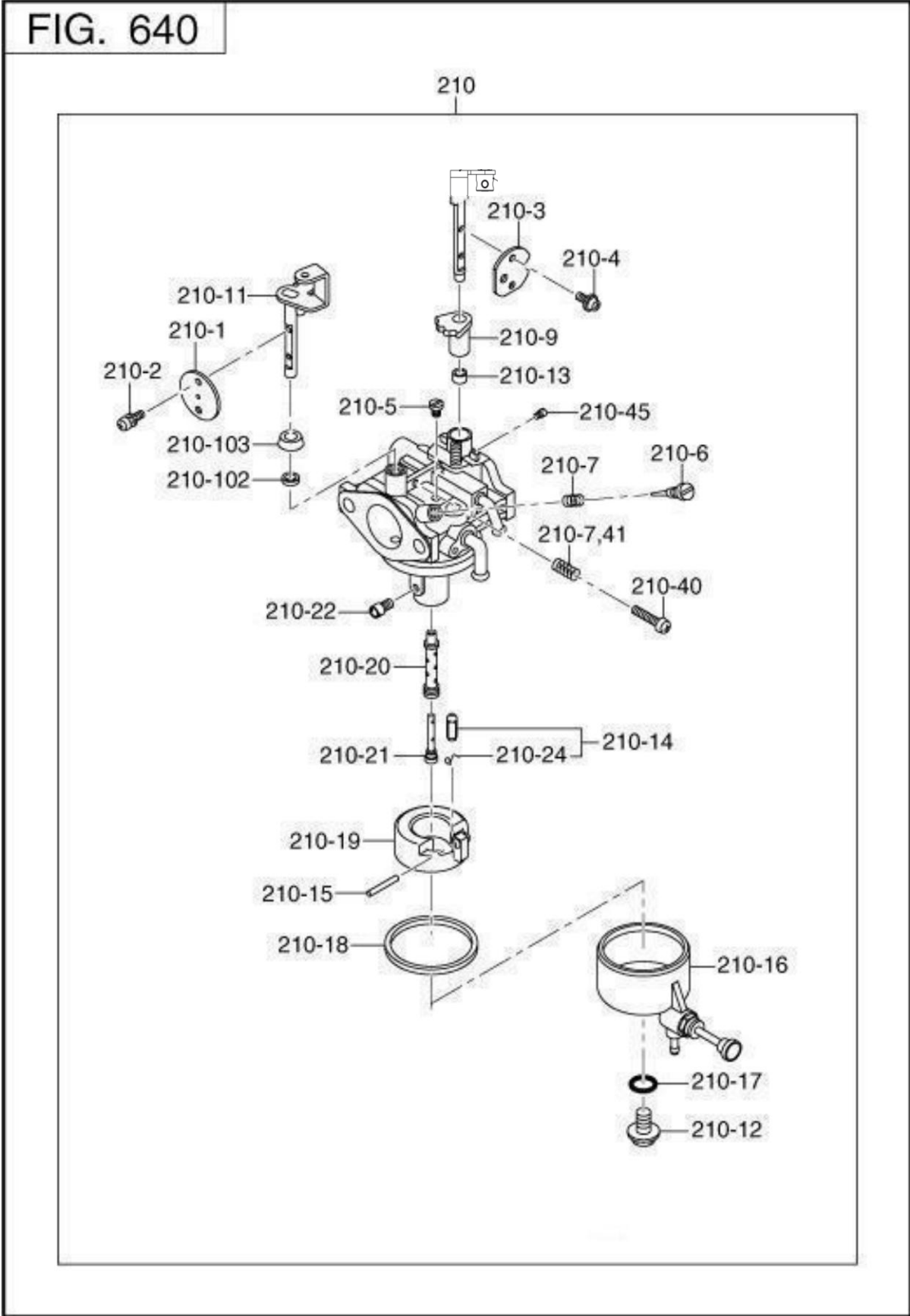
6 FUEL LUBRICANT GROUP

FIG. 600



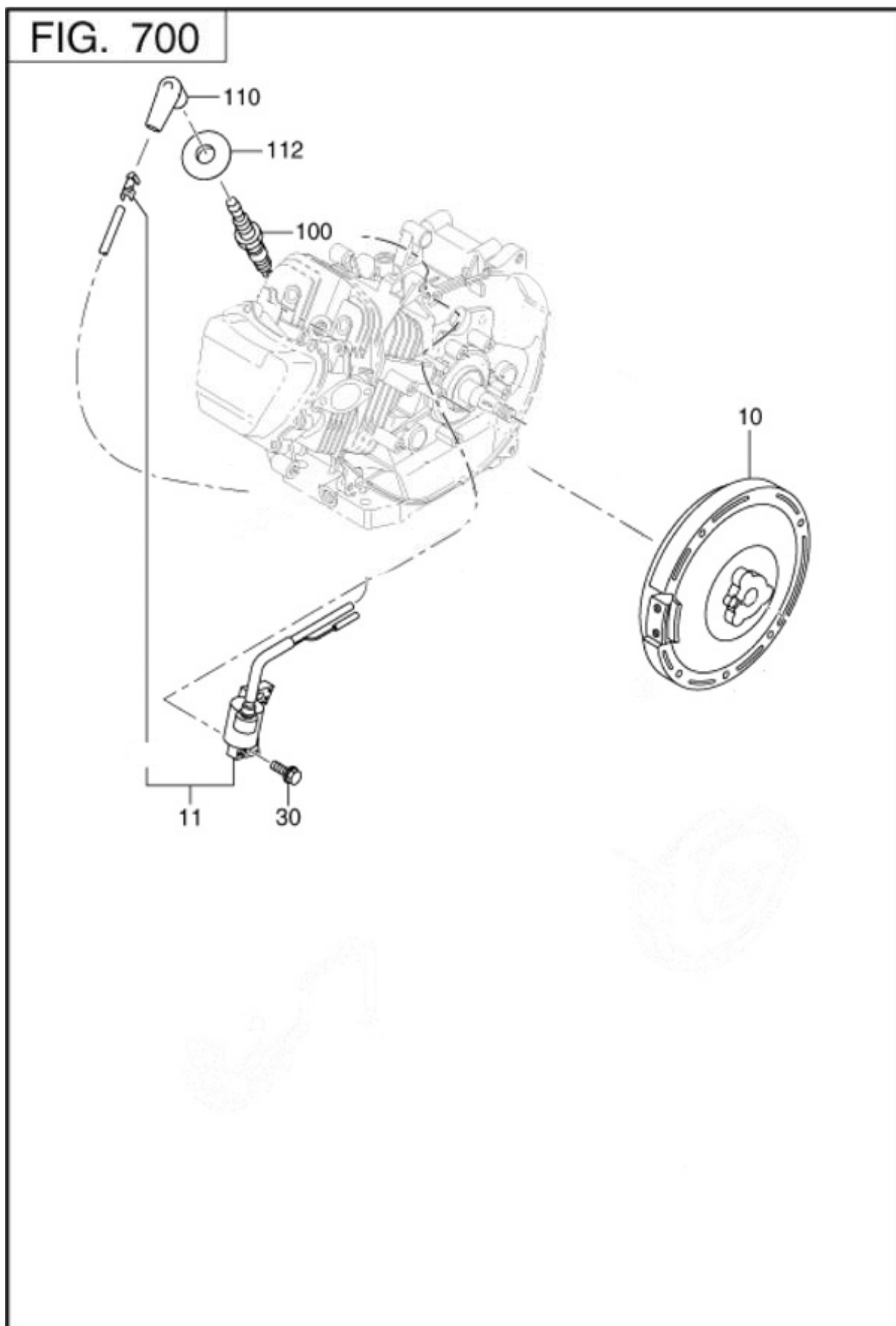
REF.	PART NUMBER	PART NAME	CODE NO.	QTY	REMARKS	INTERCHANGE
10	21J-60103-H0	FUEL TANK AY	-	1		
30	X43-04300-11	FUEL TANK CAP CP	-	1		
40	X64-13600-10	FUEL FILTER	-	1		
52	X17-31200-30	NUT	-	1		
63	21J-69920-H3	BOLT AND WASHER AY	-	4		
80	X85-10623-30	FUEL PIPE	-	1		
81	X85-10622-60	FUEL PIPE	-	1		
90	X56-10900-40	HOSE CLAMP	-	4		
100	21J-65001-H3	BRACKET(STRAINER)	-	1		
110	21J-69902-H0	FUEL STRAINER AY	-	1		
120	20F-04081-60	FLANGE BOLT	-	1		
200	21J-95103-H3	LABEL (MODEL)	-	1		
210	X73-20057-60	LABEL(WARNING)	-	1		

6 FUEL LUBRICANT GROUP



REF.	PART NUMBER	PART NAME	CODE NO.	QTY	REMARKS	INTERCHANGE
210	21J-62302-H0	CARBURETOR AY	-	1		
- 1	21K-62535-H8	THROTTLE VALVE	-	1		
- 2	279-62357-H8	SCREW	-	2		
- 3	21K-62525-H8	CHOKE VALVE	-	1		
- 4	277-62580-H8	SCREW	-	2		
- 5	21K-62421-H8	ADJUSTER	-	1		
- 6	21K-62435-H8	ADJUSTER	-	1		
- 7	209-62445-H8	SPRING	-	2		
- 8	21J-62522-H8	CHOKE LEVER	-	1		
- 9	234-62550-H8	RING	-	1		
- 11	21J-62530-H8	THROTTLE SHAFT-A	-	1		
- 12	21J-62450-H8	BOLT	-	1		
- 13	277-62571-H8	RING	-	1		
- 14	21J-62500-H8	NEEDLE-A	-	1		
- 15	277-62515-H8	PIN	-	1		
- 16	21J-62553-H8	FLOAT BODY-A	-	1		
- 17	277-62361-H8	PACKING	-	1		
- 18	21J-62550-H8	PACKING	-	1		
- 19	226-62506-H8	FLOAT	-	1		
- 20	21K-62442-H8	MAIN NOZZLE	-	1		
- 21	21K-62443-H8	NOZZLE	-	1		
- 22	21K-62401-H8	MAIN JET	-	1		
- 24	226-62701-H8	CLIP	-	1		
- 40	246-62435-H8	ADJUST SCREW	-	1		
- 45	106-62411-H8	AIR JET	-	1		
-102	106-62392-H8	SEAL	-	1		
-103	279-62551-H8	RING	-	1		

7 ELECTRIC DEVICE GR



REF.	PART NUMBER	PART NAME	CODE NO.	QTY	REMARKS	INTERCHANGE
10	21J-79203-H1	FLYWHEEL CP	-	1		
11	21J-79401-H1	IGNITION COIL CP	-	1		
30	20F-14062-50	TAPPING BOLT	-	2		
100	X65-01430-41	SPARK PLUG	-	1		
110	X65-50003-40	SPARK PLUG CAP	-	1		
112	279-55201-H3	GROMMET(PLUG CAP)	-	1		