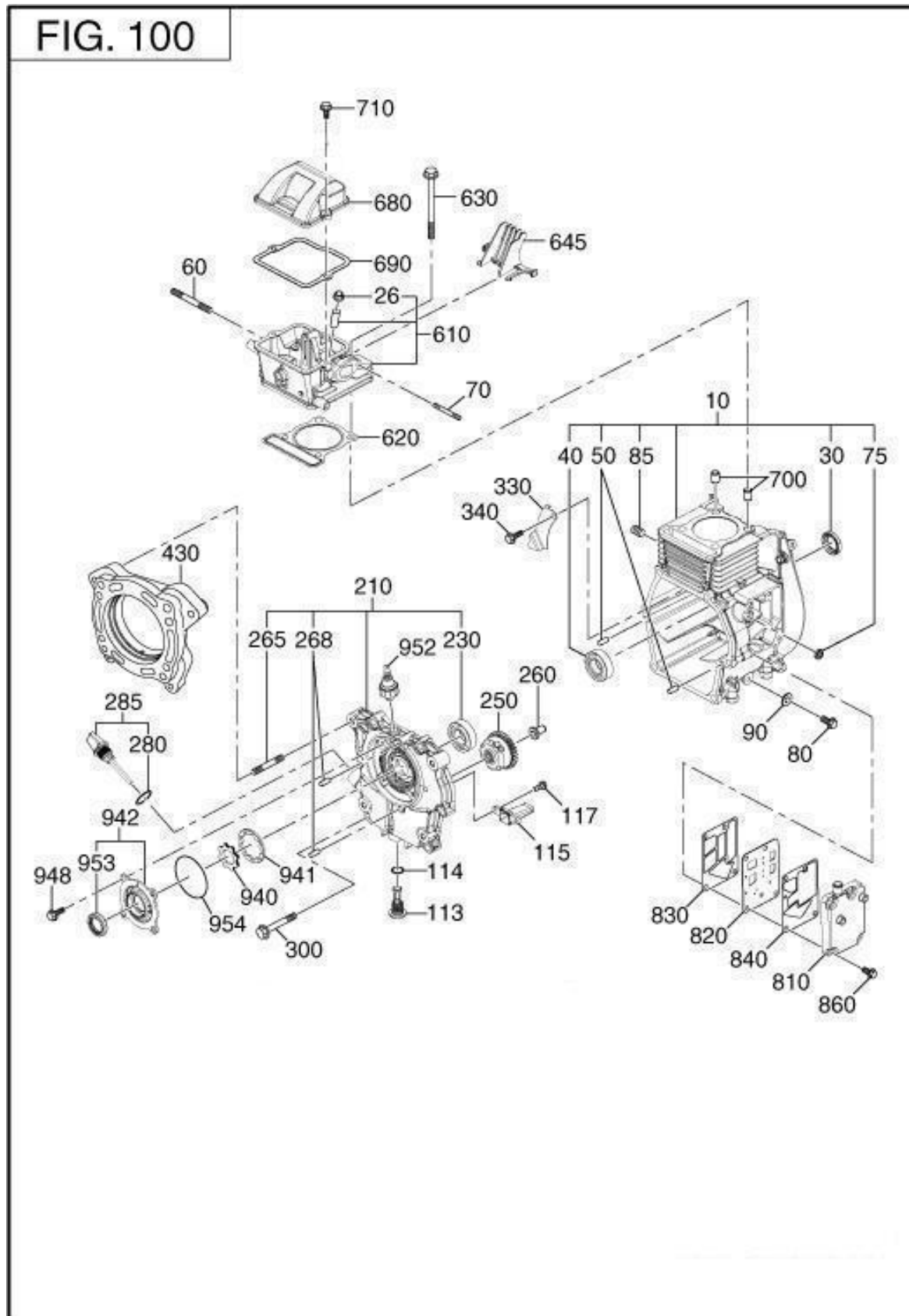


1 CRANKCASE GROUP



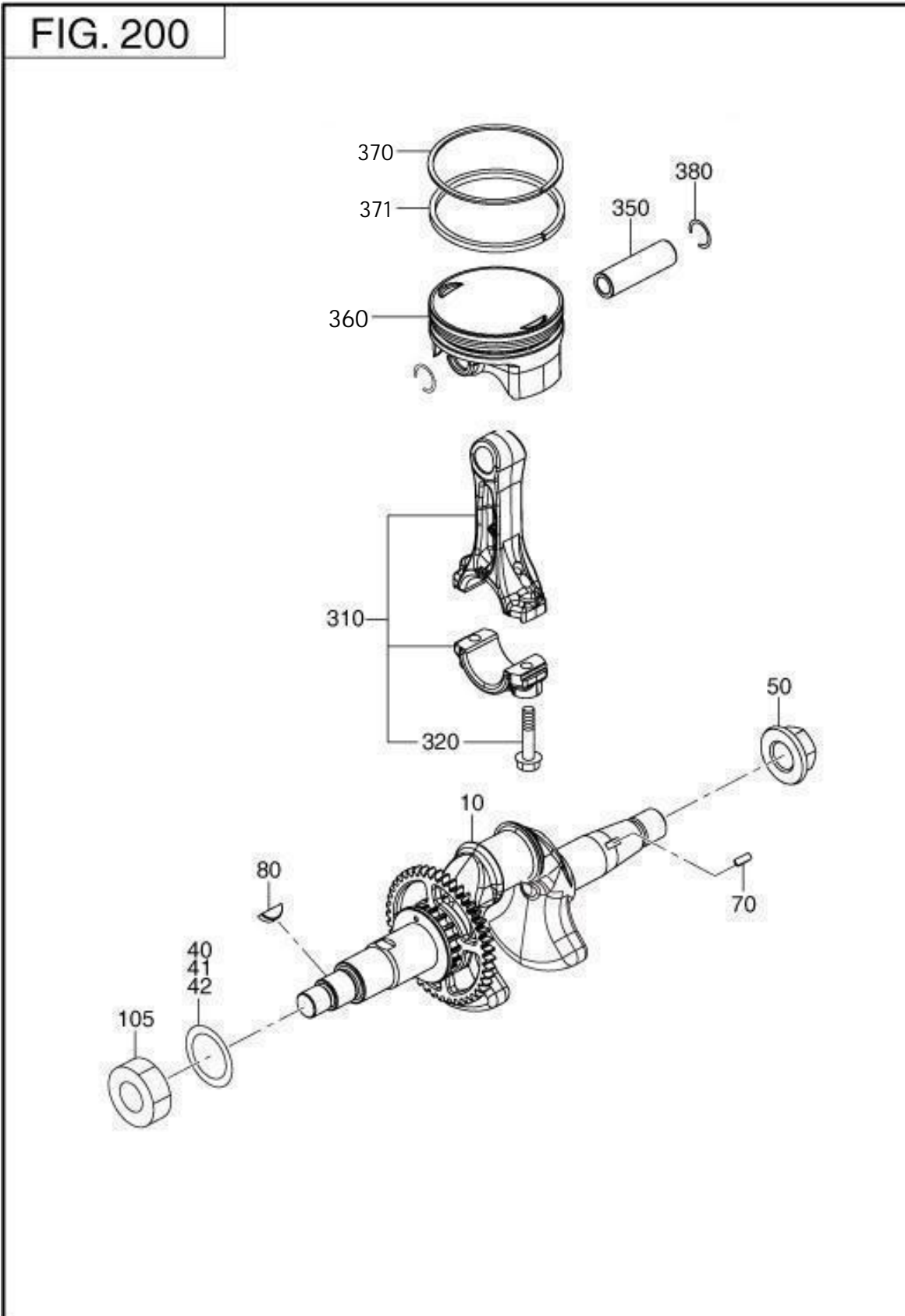
ER120DC4001 FIG.100

REF.	PART NUMBER	PART NAME	CODE NO.	QTY	REMARKS	INTERCHANGE
10	21E-10102-H1	CRANKCASE CP	-	1		
26	20F-16010-01	STEM SEAL	-	1		
30	044-02000-70	OIL SEAL	-	1	20DX32DX6B	
40	X60-02002-00	BALL BEARING	-	1	20DX42DX12B	
50	X31-00600-50	DOWEL PIN	-	2	6DX14. 8L	
60	X10-50805-50	STUD	-	2	M8X64. 5L	
70	X10-50602-81	STUD	-	2	M6X1. 0X94L	
75	X44-00800-10	OIL SEAL	-	1	8DX14DX4B	
80	X11-00801-50	FLANGE BOLT	-	1	M8X1. 25X16DX12L	
85	X40-31400-10	PLUG	-	1		
90	X21-10800-50	GASKET(ALUMINIUM)	-	1	T=3 8. 3DX14D	
113	21E-65002-H2	PLUG UN	-	1		
114	X24-01100-20	O-RING	-	1		
115	21E-64202-H3	SUCTION PIPE	-	1		
117	X11-00500-30	FLANGE BOLT	-	2	M5X0. 8, L=12	
210	21E-11006-H1	MAINBEARING COVER CP	-	1		
230	X60-02200-30	BALL BEARING	-	1	22DX44DX12B	
250	21E-45002-H1	GOVERNOR GEAR CP	-	1		
260	21E-41902-H3	GOVERNOR SLEEVE	-	1		
265	20F-39085-00	STUD	-	4		
268	X31-00600-50	DOWEL PIN	-	2	6DX14. 8L	
280	X21-31600-30	GASKET	-	1	16DX23DX1. 2T RUBBER	
285	21E-63601-H1	OIL GAUGE CP	-	1		
300	X11-00801-60	FLANGE BOLT	-	6	M8X1. 25X16DX55L	
430	21E-13403-H3	ADAPTER(FLANGE)	-	1		
	21E-13402-H3	ADAPTER(FLANGE)	-	1		
610	21E-13003-H0	CYLINDER HEAD AY	-	1		
620	21E-15001-H3	GASKET(HEAD)	-	1		
630	X11-00804-60	FLANGE BOLT	-	4	M8X98L	
645	21E-18001-H3	GUIDE(S.PLUG)	-	1		

ER120DC4001 FIG.100

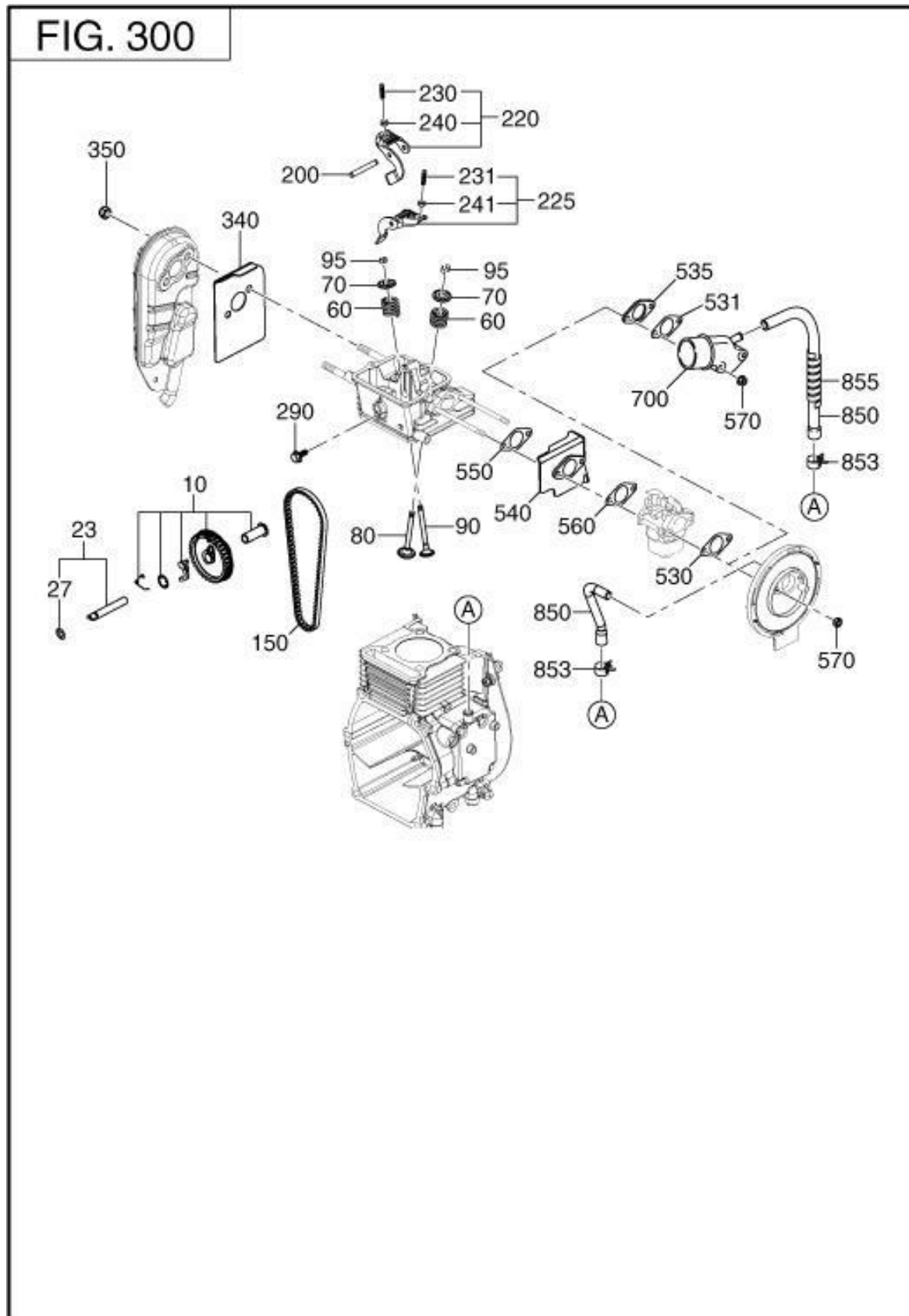
REF.	PART NUMBER	PART NAME	CODE NO.	QTY	REMARKS	INTERCHANGE
680	21E-15502-H3	ROCKET COVER	-	1		
690	21E-16001-H1	GASKET CP(R.COVER)	-	1	T=1.0	
700	20F-15011-03	PIPE KNOCK	-	2		
710	X11-00606-10	FLANGE BOLT	-	2	M6X1.0X20L	
810	21E-14302-H3	BREATHER COVER	-	1		
820	21E-14401-J1	BREATHER PLATE CP	-	1		
830	21E-16002-J3	GASKET(B.PLATE)	-	1	T=0.5	
840	21E-16003-H0	GASKET(B.COVER)	-	1	T=0.5	
860	X11-00602-30	FLANGE BOLT	-	4	M6X1.0X20L	
940	21E-63901-H3	INNER ROTOR	-	1		
941	21E-63902-H3	OUTER ROTOR	-	1		
942	21E-64002-H1	OILPUMP COVER CP	-	1		
948	X11-00604-40	FLANGE BOLT	-	4		
952	21E-76302-H1	SWITCH OIL PRESSURE	-	1		
953	044-02000-70	OIL SEAL	-	1	20DX32DX6B	
954	X24-05900-20	O-RING	-	1		

2 CRANKSHAFT,PISTON GR



REF.	PART NUMBER	PART NAME	CODE NO.	QTY	REMARKS	INTERCHANGE
10	21E-20206-H1	CRANKSHAFT CP	-	1		
40	X23-02201-00	SPACER	-	1	T=0.8	
41	X23-02201-10	SPACER	-	1	T=1.0	
42	X23-02201-20	SPACER	-	1	T=1.2	
50	X18-01400-20	FLANGE NUT	-	1	M14X1.5X28DX12H	
70	005-32031-01	WOODRUFF KEY	-	1		
80	005-32042-01	WOODRUFF KEY	-	1		
105	017-31200-10	LOCK NUT	-	1	12DX6HX17B	
310	21E-22501-K0	CONNECTING ROD AY	-	1		
320	20F-23001-03	CONNECTING ROD BOLT	-	2	M5X0.8X25.0L	
350	21E-23302-H3	PISTON PIN	-	1		
360	21E-23404-H3	PISTON	-	1	STD	
370	21E-23601-H3	TOP RING	-	1		
371	21E-23911-H3	OIL RING	-	1		
380	21E-25001-H3	CLIP	-	2		

3 INTAKE EXHAUST GROUP

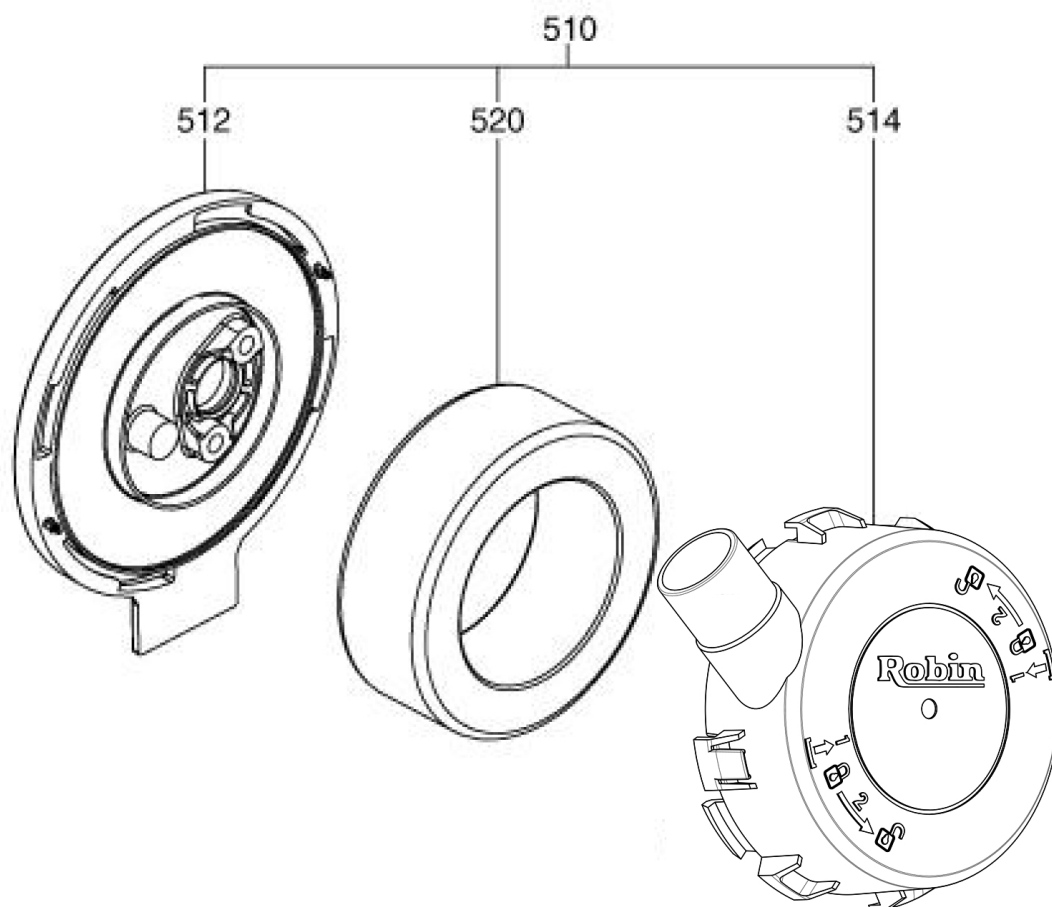


## ER120D40000 FIG.300

REF.	PART NUMBER	PART NAME	CODE NO.	QTY	REMARKS	INTERCHANGE
10	21E-31602-H1	CAM PULLEY CP	9223-9345	1		
23	21E-35102-H1	PIN(CAM PULLEY)CP	9010-	1		
27	X24-00600-30	O RING	9010-	1	5. 8DX9. 6D	
60	279-33602-H3	VALVE SPRING	-	2	19. 2DX2. 3DX27. 4L	
70	269-33701-03	SPRING RETAINER	-	2		
80	276-33402-H3	INTAKE VALVE	-	1	22DX5. 5DX68L	
90	276-33502-H3	EXHAUST VALVE	-	1	18. 5DX5. 5DX68L	
95	20F-10KA0-31	COLLET-VALVE	-	4		
150	21E-35601-H3	TIMMING BELT	-	1		
200	277-35004-H3	PIN(ROCKER)	-	1		
220	21E-36102-J0	ROCKER ARM IN AY	-	1		
225	21E-36102-J0	ROCKER ARM EX AY	-	1		
230	20A-01401-00	ADJUST SCREW	-	1	M5X0. 5X23L	
231	20A-01401-00	ADJUST SCREW	-	1	M5X0. 5X23L	
240	20A-01801-00	NUT	-	1	M5X0. 5X4. 1H	
241	20A-01801-00	NUT	-	1	M5X0. 5X4. 1H	
290	20F-00600-10	FLANGE BOLT	-	1	M6X1. 0X8L	
340	21E-35201-H3	GASKET(MUFFLER)	-	1	T=1. 2	
350	X17-60800-20	SELF LOCK NUT	-	2	M8X1. 25X13H	
530	284-35903-H3	GASKET(INTAKE)	-	1	T=0. 3	
540	21E-32903-K3	INSULATOR	-	1	M8X1. 25X13H	
550	21E-35003-H3	GASKET(INSULATOR)	-	1	T=0. 5	
560	21E-35003-H3	GASKET(INSULATOR)	-	1	T=0. 5	
570	20F-60600-20	SELF LOCK NUT	-	2		
850	21E-16102-H3	RUBBER PIPE	-	1		
853	X56-11300-10	HOSE CLAMP	-	1		

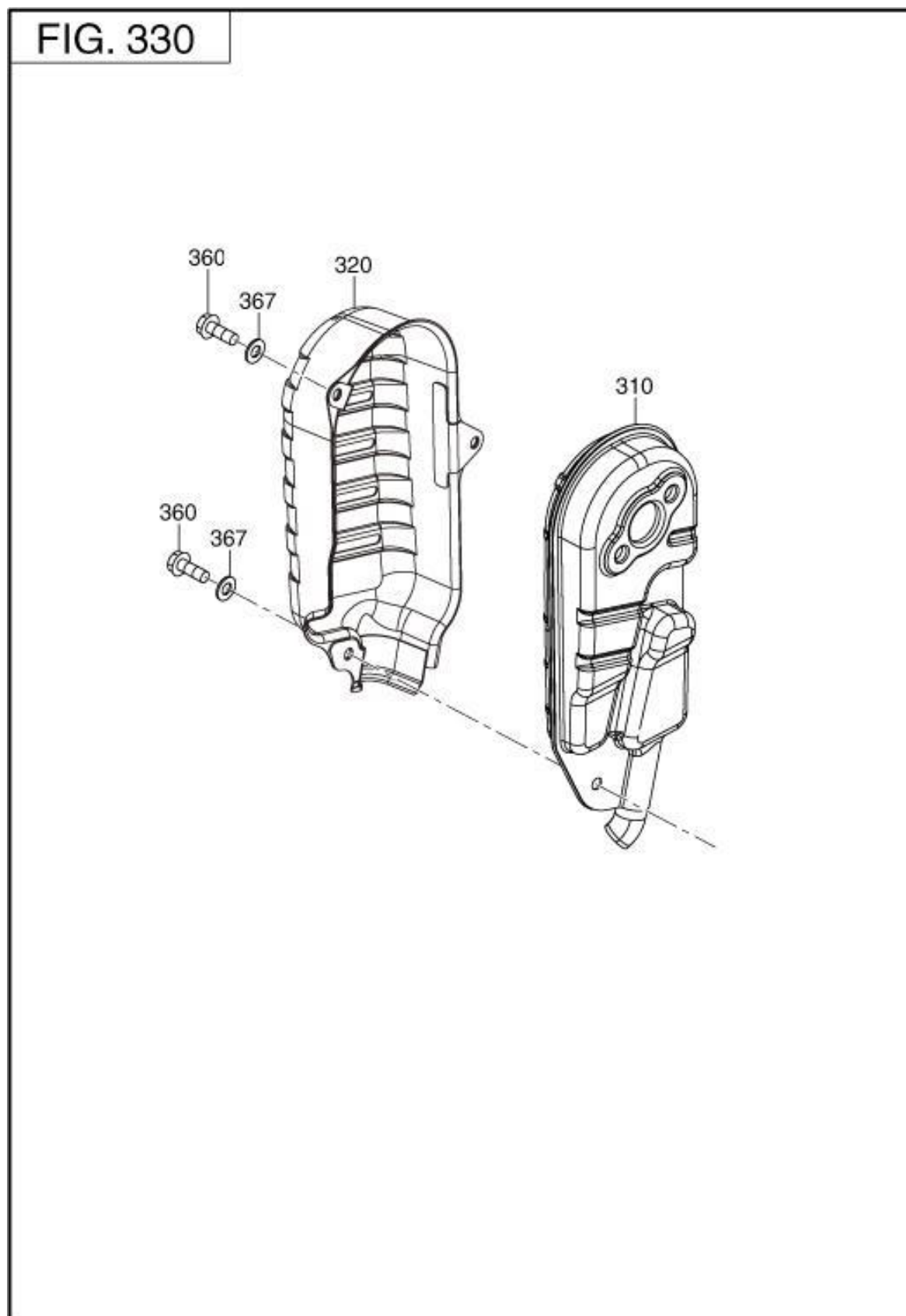
### 3 INTAKE EXHAUST GROUP

FIG. 310



REF.	PART NUMBER	PART NAME	CODE NO.	QTY	REMARKS	INTERCHANGE
510	21E-32607-H0	AIR CLEANER AY	-	1		
512	21E-32607-H3	AIR CLEANER 1	-	1		
514	21E-32608-H3	AIR CLEANER 2	-	1		
520	21E-32607-H1	ELEMENT CP	-	1		

3 INTAKE EXHAUST GROUP



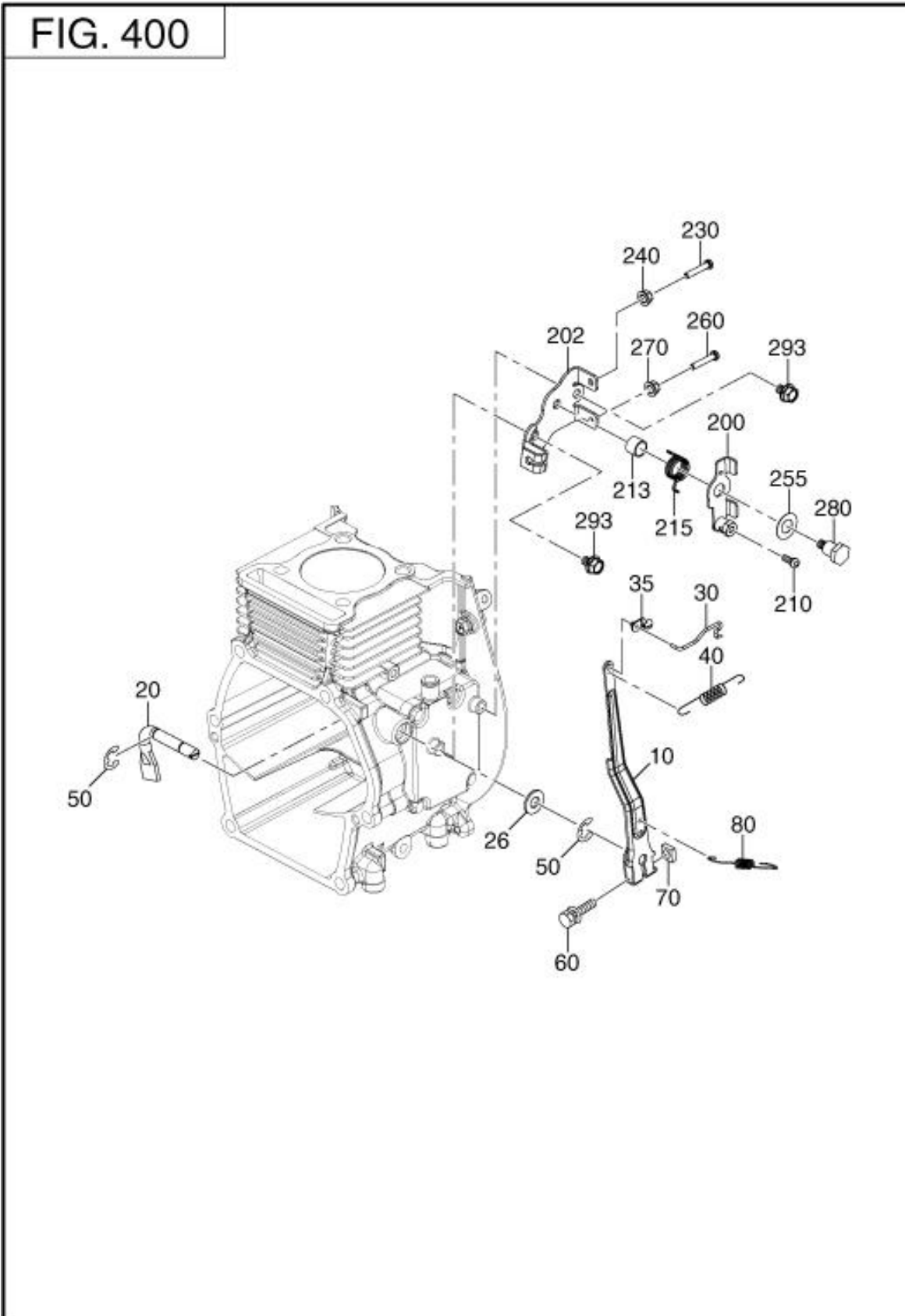
---

ER120DC4001 FIG.330

---

REF.	PART NUMBER	PART NAME	CODE NO.	QTY	REMARKS	INTERCHANGE
310	21E-30101-K2	MUFFLER UN	-	1		
320	21E-34201-M2	MUFFLER COVER UN	-	1		
360	X13-00603-30	BOLT AND WASHER AY	-	2	M6X1.0X18L	
367	X20-00601-20	WASHER	-	2		

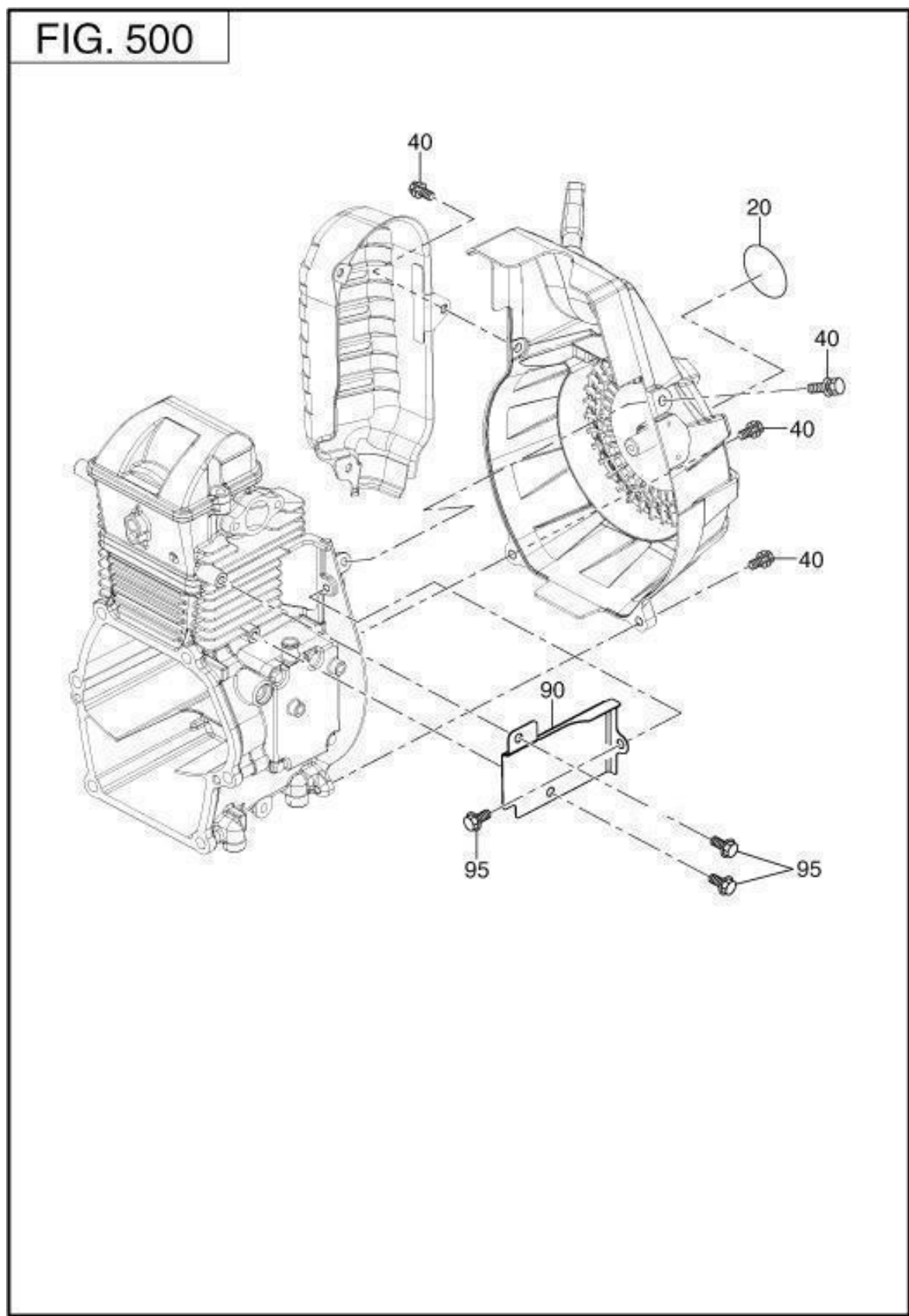
4 GOVERNOR, OPERATION G



ER120DC4001 FIG.400

REF.	PART NUMBER	PART NAME	CODE NO.	QTY	REMARKS	INTERCHANGE
10	21E-42301-H3	GOVERNOR LEVER	-	1		
20	21E-42202-H3	GOVERNOR SHAFT	-	1		
26	20F-11080-00	WASHER	-	1		
30	21E-42702-H1	GOVERNOR ROD CP	-	1		
35	284-45601-H3	LINKAGE BUSHING	-	1		
40	21E-42801-H3	ROD SPRING	-	1		
50	003-13060-00	CLIP	-	2	6DX12DX0.8T	
60	20F-14063-00	BOLT AND WASHER AY	-	1		
70	018-60600-20	NUT	-	1	M6X1.0X4.9H SQUARE	
80	21E-42501-H3	GOVERNOR SPRING	-	1		
200	21E-43301-J0	SPEED CONT.LEVER AY	-	1		
202	21E-46001-J1	BASE PLATE CP	-	1		
210	004-31041-40	SCREW,PANHEAD	-	1	M4X0.7X14L	
213	023-01000-40	SPACER	-	1	10.2DX12.2DX9T	
215	226-45003-13	RETURN SPRING	-	1	15.5DX1.6DX9L N=4.5	
230	004-31053-00	SCREW	-	1	M5X0.8X30L	
240	X17-00500-40	NUT	-	1	M5X0.8X4H	
255	X21-71000-20	FRICTION WASHER	-	1	10.5DX20DX0.4T NYLON	
260	004-31053-00	SCREW	-	1	M5X0.8X30L	
270	X17-00500-40	NUT	-	1	M5X0.8X4H	
280	226-43103-01	LINK PIVOT CP	-	1		
293	20F-00600-10	FLANGE BOLT	-	2	M6X1.0X8L	

5 COOLING,STARTING GRP



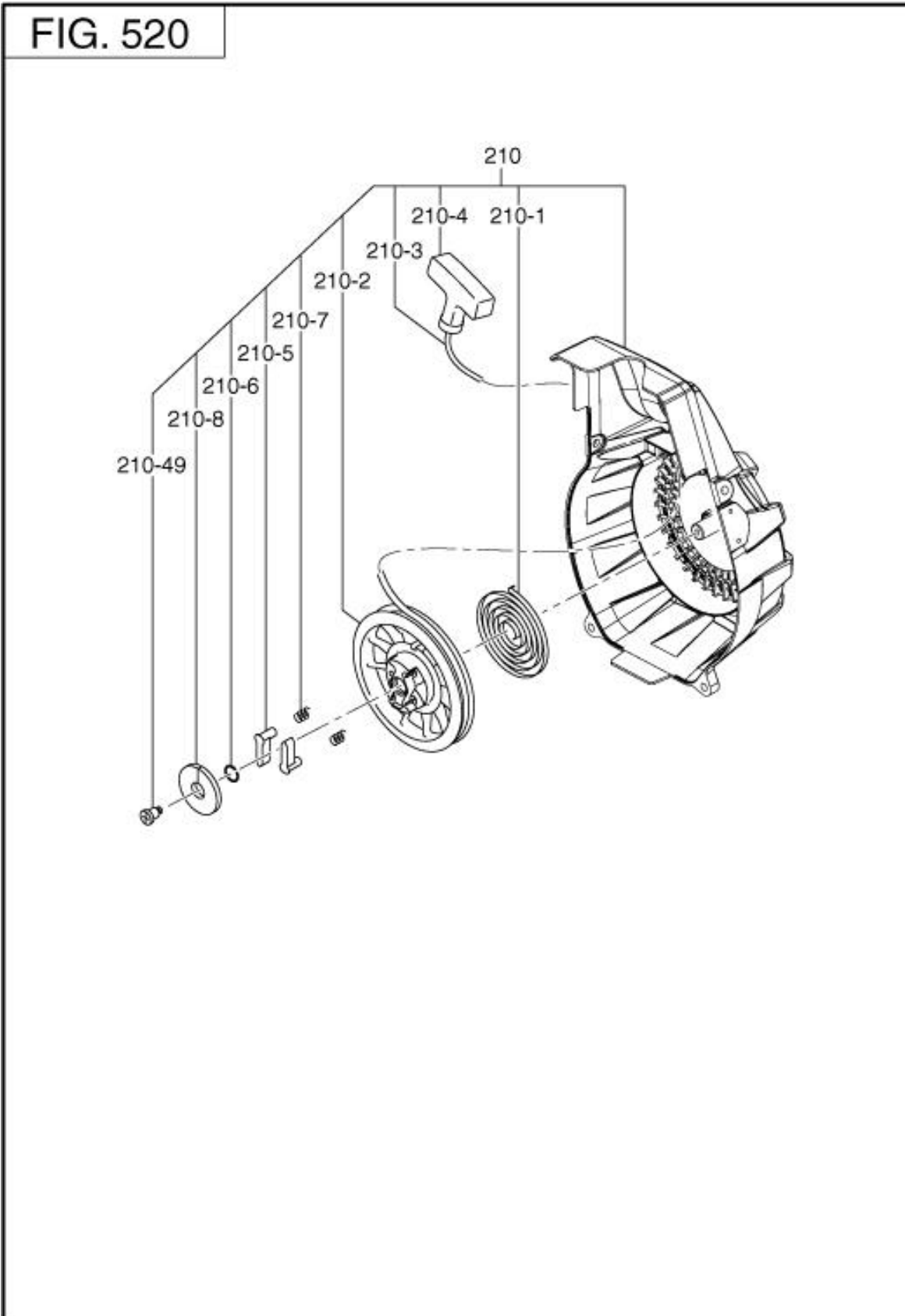
---

ER120DC4001 FIG.500

---

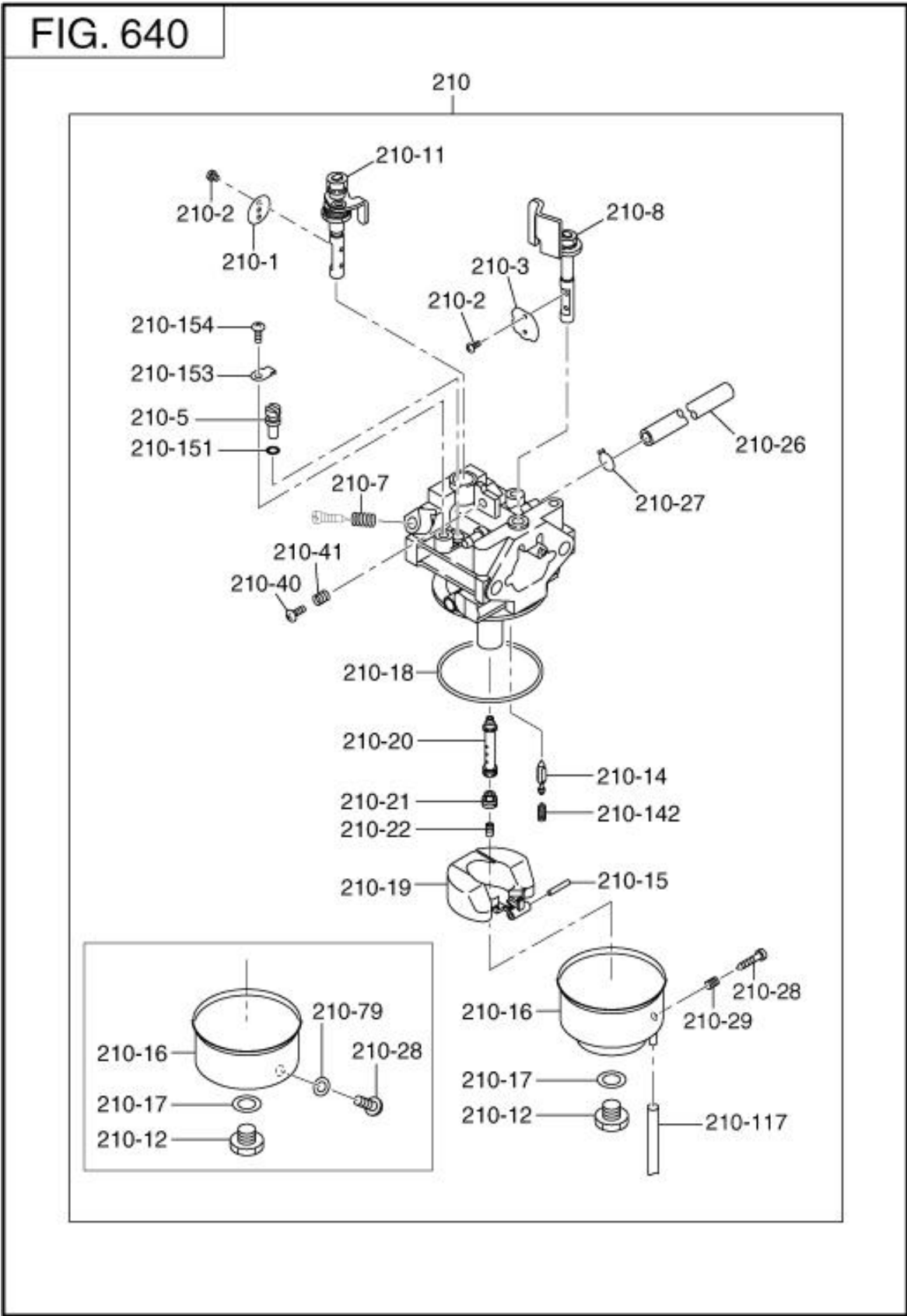
REF.	PART NUMBER	PART NAME	CODE NO.	QTY	REMARKS	INTERCHANGE
20	21E-95101-H3	LABEL(MODEL)	-	1		
40	X13-00603-40	BOLT AND WASHER AY	-	4	M6X1. 0X18L	
90	21E-52601-H3	CYLINDER BAFFLE	-	1		
95	20F-00600-10	FLANGE BOLT	-	3	M6X1. 0X8L	

5 COOLING,STARTING GRP



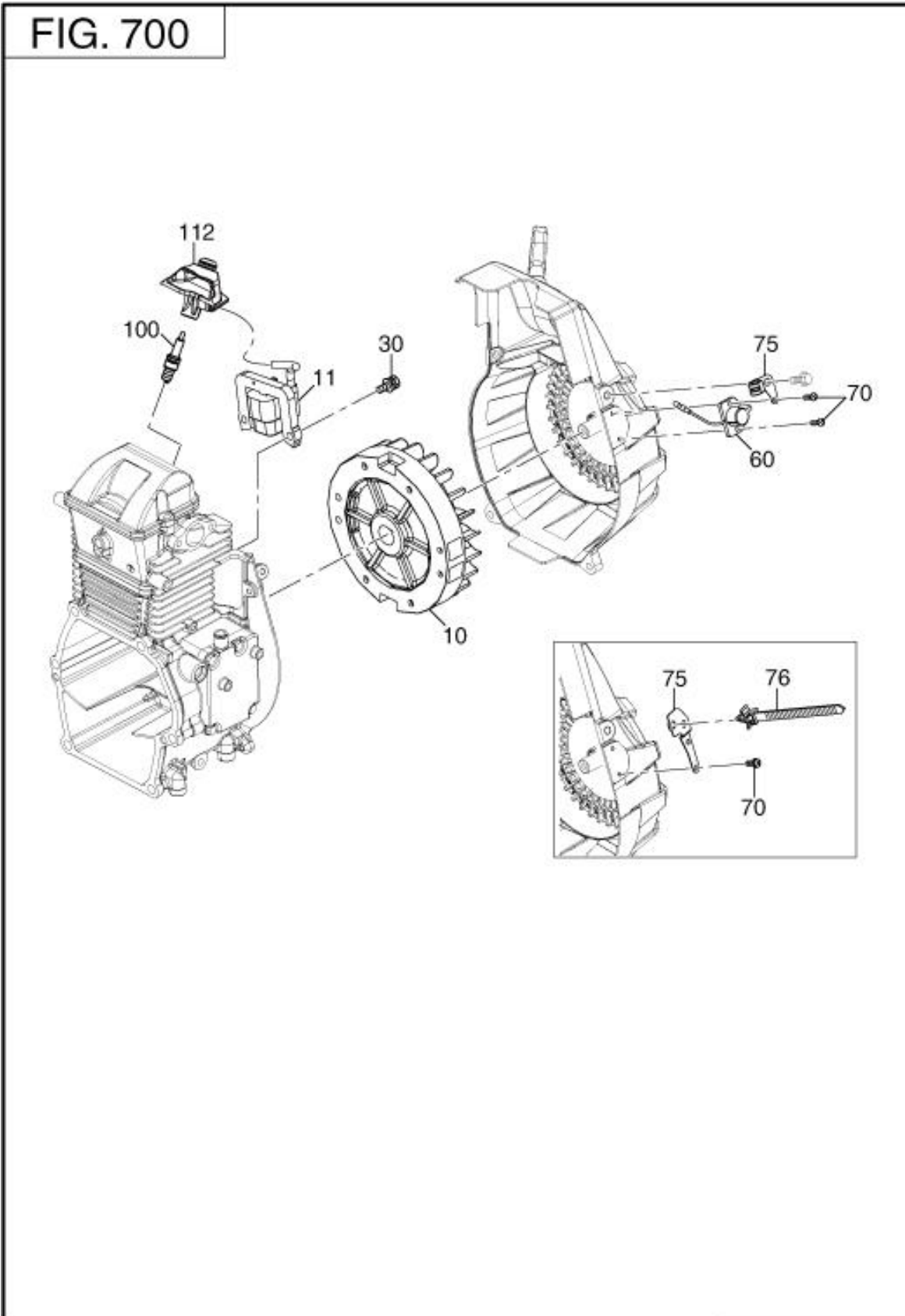
REF.	PART NUMBER	PART NAME	CODE NO.	QTY	REMARKS	INTERCHANGE
210	21E-50202-H0	RECOIL STARTER AY	-9009	1		
- 1	20F-50115-08	SPIRAL SPRING	9071-	1		
- 2	21E-50220-18	REEL	9154-	1		
- 3	21E-50110-08	STARTER ROPE	9071-	1		
- 4	20F-50100-18	STARTER KNOB	9071-	1		
- 5	20F-50225-08	RATCHET	9071-	2		
- 6	274-50131-08	FRICTION SPRING	9071-	1		
- 7	227-50135-08	RETURN SPRING	9071-	2		
- 8	21E-50260-08	RATCHET GUIDE	9071-	1		
- 49	20B-50101-08	SET SCREW	9071-	1		

6 FUEL LUBRICANT GROUP



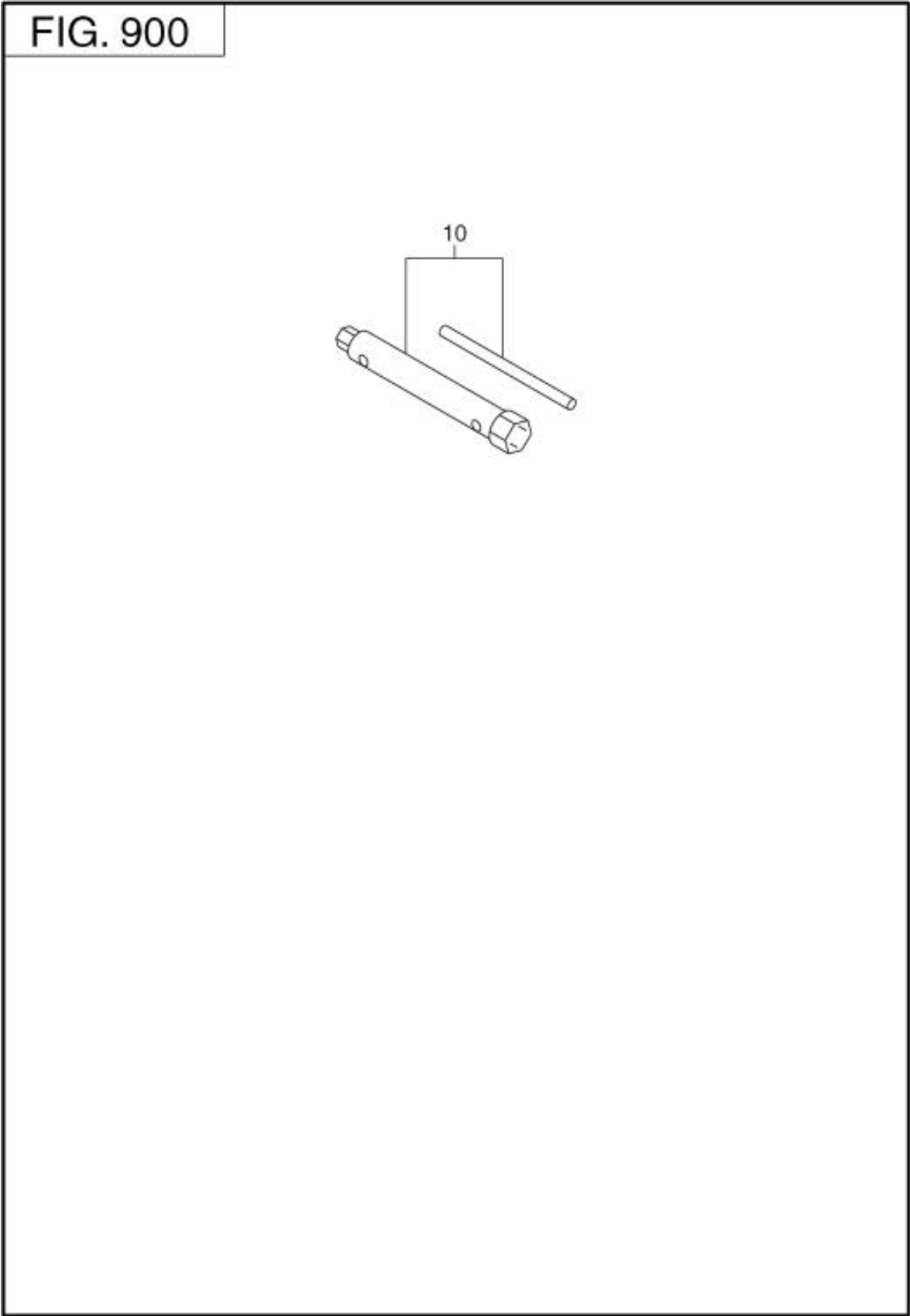
REF.	PART NUMBER	PART NAME	CODE NO.	QTY	REMARKS	INTERCHANGE
210	21E-62305-J0	CARBURETOR AY	-	1		21E-62301-K0
- 1	106-62535-08	THROTTLE VALVE	-	1		
- 2	237-62451-08	SCREW	-	4		
- 3	236-62528-08	CHOKE VALVE	-	1		
- 5	21E-62420-08	PILOT JET	-	1		
- 7	209-62445-08	SPRING	-	1		
- 8	21E-62520-08	CHOK SHAFT AY	-	1		
- 11	161-62530-08	SHAFT AY (THROTTLE)	-	1		
- 12	236-62451-08	BOLT	-	1		
- 14	161-62352-08	NEEDLE	-	1		
- 15	214-62515-08	PIN	-	1		
- 16	21E-62550-08	FLOAT CHAMBERBODY AY	-	1		
- 17	236-62450-08	PACKING	-	1		
- 18	236-62540-08	PACKING	-	1		
- 19	236-62505-08	FLOAT	-	1		
- 20	21E-62440-08	MAIN NOZZLE	-	1		
- 21	235-62425-08	GUIDE HOLDER	-	1		
- 22	252-62401-08	MAIN JET	-	1		
- 26	21E-62350-08	HOSE	-	1		
- 27	234-62454-08	NEEDLE-A	-	1		
- 28	277-62360-08	SCREW	-	1		
- 40	246-62435-08	ADJUST SCREW	-	1		
- 41	230-62446-08	SPRING(CO)	-	1		
- 79	236-62541-08	PACKING	-	1		
-142	236-62445-08	SPRING	-	1		
-151	106-62384-08	O-RING	-	1		
-153	293-62350-08	PLATE BV15/312	-	1		
-154	279-62351-08	SCREW	-	1		

7 ELECTRIC DEVICE GR



REF.	PART NUMBER	PART NAME	CODE NO.	QTY	REMARKS	INTERCHANGE
10	21E-79230-J1	FLY WHEEL CP	-	1		
11	21E-79430-L1	IGNITION COIL CP	9051-	1		
30	20F-14062-50	BOLT AND WASHER AY	-	2		
60	X66-00004-71	SWITCH AY	8767-	1		
70	20F-35041-20	SCREW AND WASHER AY	-	2		
75	X56-60800-50	CLAMP	-	1		
100	X65-01408-60	SPARK PLUG	-	1		
112	21E-75001-J3	SPARKPLUG RUBBER CAP	8968-	1		

9 ACCESSORIES LABEL GR



---

ER120DC4001 FIG.900

---

REF.	PART NUMBER	PART NAME	CODE NO.	QTY	REMARKS	INTERCHANGE
10	21E-90301-H0	ACCESSORY TOOL KIT	-	1		