



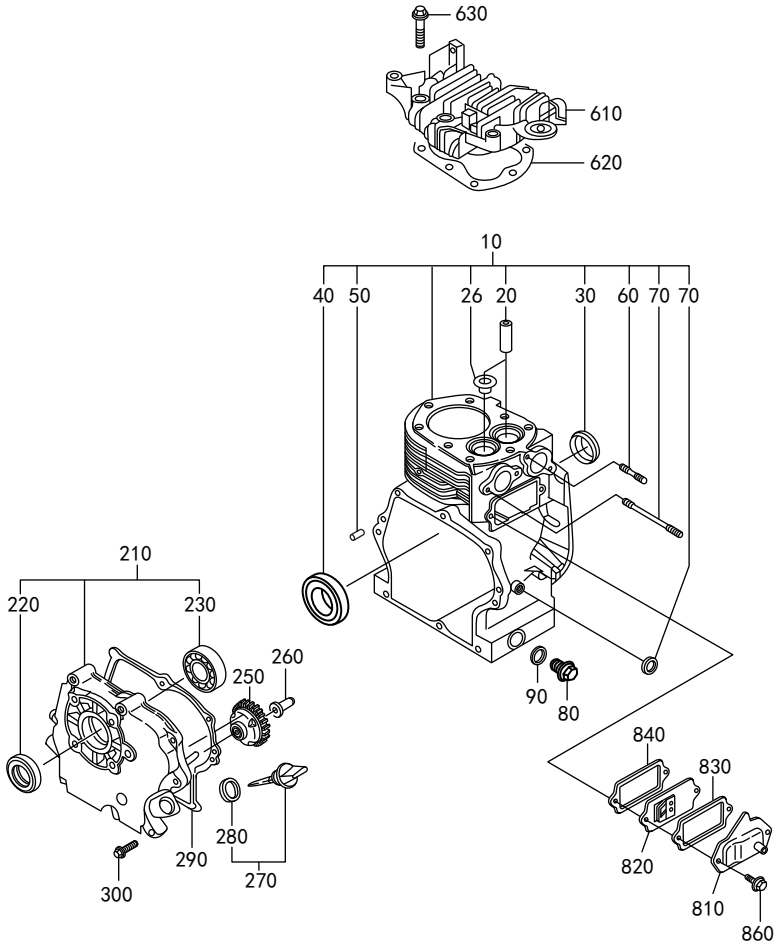
PARTS CATALOG

EY15



1 CRANKCASE

FIG. 100



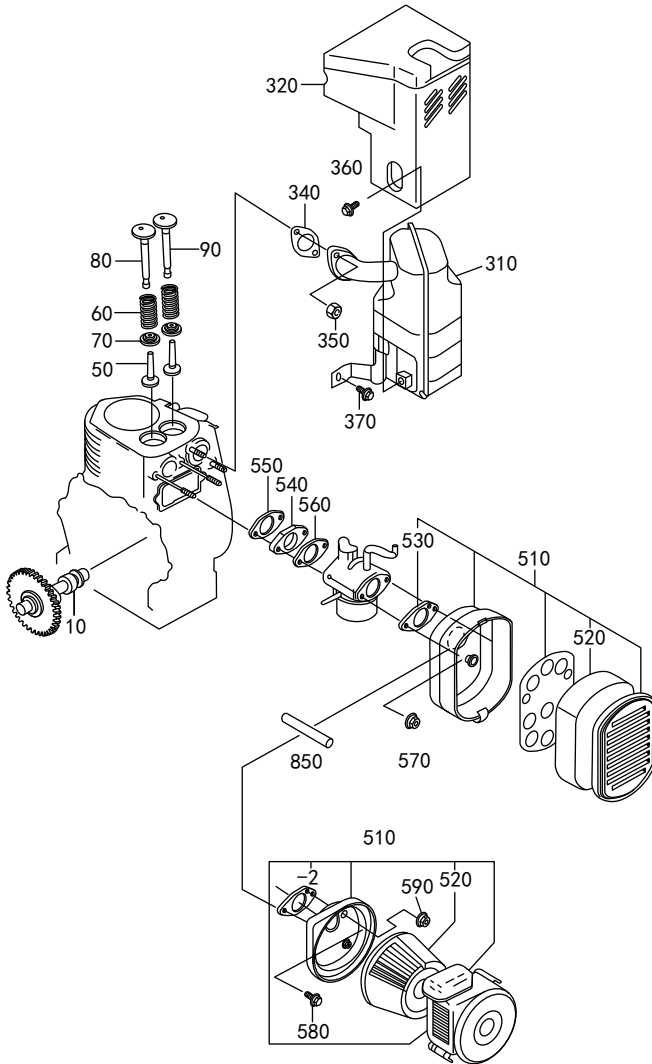
960-GASKET SET

REF. NO	PART NUMBER	PART NAME	QTY	RAMRKS	FIG. NO
10	281-10102-H1	CRANKCASE CP	1		100
26	282-16301-H3	STEM SEAL	1		100
30	X44-02501-50	OIL SEAL	1		100
40	X60-02501-80	BALL BEARING	1	25Dx52Dx15B	100
50	X31-00600-50	DOWEL PIN	1	6Dx14. 8L	100
75	X44-00800-10	OIL SEAL	1		100
80	040-11400-30	PLUG	1	M14x125x12L	100
90	021-11400-20	GASKET	1		100
210	282-11001-H3	MAIN BEARING COVER CP	1	METRIC	100
210	282-11002-H3	MAIN BEARING COVER CP	1	IMPERIAL	100
220	X44-02501-60	OIL SEAL	1		100
230	X60-02501-80	BALL BEARING	1		100
250	227-45003-03	GOVERNOR GEAR CP	1		100
270	209-63601-H3	OIL GAUGE	2		100
280	X21-31000-30	GASKET	2		100
290	227-16001-03	GASKET (BEARING COVER)	1		100
300	X13-00603-10	BOLT&WASHER AY	8	M6x1. 0x30L	100
610	226-13001-L3	CYLINDER HEAD	1		100
620	281-15001-J1	GASKET CP (HEAD)	1		100
630	X11-00804-40	FLANGE BOLT	8	M8x1. 25x40L	100
810	227-14301-H1	TAPPET COVER CP	1		100
820	282-14402-01	BREATHER PLATE CP	1		100
830	282-16006-03	GASKET	1	T=0. 8	100
840	282-16007-03	GASKET	1	T=2. 0	100
860	20F-00600-21	FLANGE BOLT	2	M6x1. 0x12L	100
960	227-99001-27	GASKET SET	1		100
INCL : FIG100-280, 290, 620, 830, 840 ; FIG300-340, 550, 560					

REF. NO	PART NUMBER	PART NAME	QTY	RAMRKS	FIG. NO
10	281-20201-H3	CRANKSHAFT CP	1	METRIC STD	200
10	281-21001-H3	CRANKSHAFT CP	1	DP-3/4	200
10	281-21002-H3	CRANKSHAFT CP	1	DP-5/8	200
10	281-20901-H3	CRANKSHAFT CP	1	DU	200
10	281-20311-J3	CRANKSHAFT CP	1	PUMP-STD	200
40	X23-02502-20	SPACER T=0.8	1	M14x1.25x12L	200
50	X18-01400-20	FLANGE NUT	1		200
60	X20-01500-50	WASHER	1		200
70	032-30300-10	WOODRUFF KEY	1	3x6 (D16)	200
80	005-30053-01	KEY	1	5x5x30	200
90	X20-00802-40	WASHER	1		200
100	X13-00802-50	BOLT&WASHER AY	1		200
310	281-22501-H0	CONNECTING ROD AY	1		200
350	282-23311-H3	PISTON PIN	1	D=14	200
360	281-23421-H3	PISTON	1	STD	200
360	281-23412-H3	PISTON	1	O/S 0.25MM	200
360	281-23413-H3	PISTON	1	O/S 0.5MM	200
370	281-23511-H7	PISTONG RING SET	1	STD	200
370	281-23512-H7	PISTONG RING SET	1	O/S 0.25MM	200
370	281-23513-H7	PISTONG RING SET	1	O/S 0.5MM	200
380	056-51400-10	CLIP	2	14. 1D1x1. 2D2	200

3 INTAKE, EXHAUST

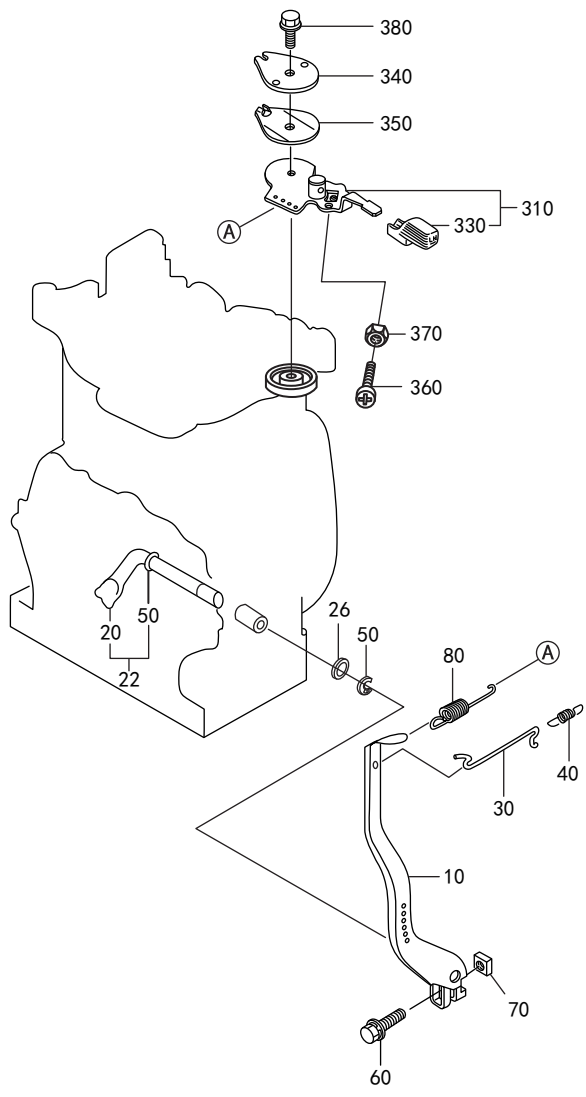
FIG. 300



REF. NO	PART NUMBER	PART NAME	QTY	RAMRKS	FIG. NO
10	226-31701-H3	CAMSHAFT CP	1		300
50	226-33301-H3	TAPPET	1		300
60	227-33601-H3	VALVE SPRING	1	D=2. 3	300
70	227-33711-H3	SPRING RETAINER	1	T=1. 6	300
80	281-33411-H3	INTAKE VALVE	1		300
90	281-33511-H3	EXHAUST VALVE	1		300
310	281-30111-H1	MUFFLER CP	1		300
320	281-34211-H1	MUFFLER COVER CP	1		300
340	281-35201-J1	GASKET CP (EXHAUST)	1		300
350	X17-00800-30	NUT	2		300
360	20F-00600-10	FLANGE BOLT	3	M6x1. 0x8L	300
510	227-32644-H0	AIR CLEANER AY	1	CYCLONE	300
-2	227-36003-13	GASKET	1	CYCLONE	300
510	282-32621-J0	AIR CLEANER AY	1	PUMP	300
520	227-32607-H7	ELEMENT SET	1	CYCLONE	300
520	282-36022-H3	CLEANER ELEMENT	1	PUMP	300
530	282-36024-H3	GASKET (AIR CLEANER)	1	PUMP	300
540	227-32901-H3	INSULATOR	1	T=7. 0	300
550	282-35901-03	GASKET1 (INSULATOR)	1	T=0. 3	300
560	227-35904-03	GASKET2 (INSULATOR)	1	T=0. 3	300
580	X13-00603-00	BOLT&WASHER AY	1		300
590	226-39212-H0	NUT&WASHER AY	2		300
570	20F-38060-00	FLANGE NUT	2	PUMP	300
850	085-10802-10	RUBBER PIPE	1	8Dx11Dx64L	300

4 GOVERNOR, OPERATE

FIG. 400

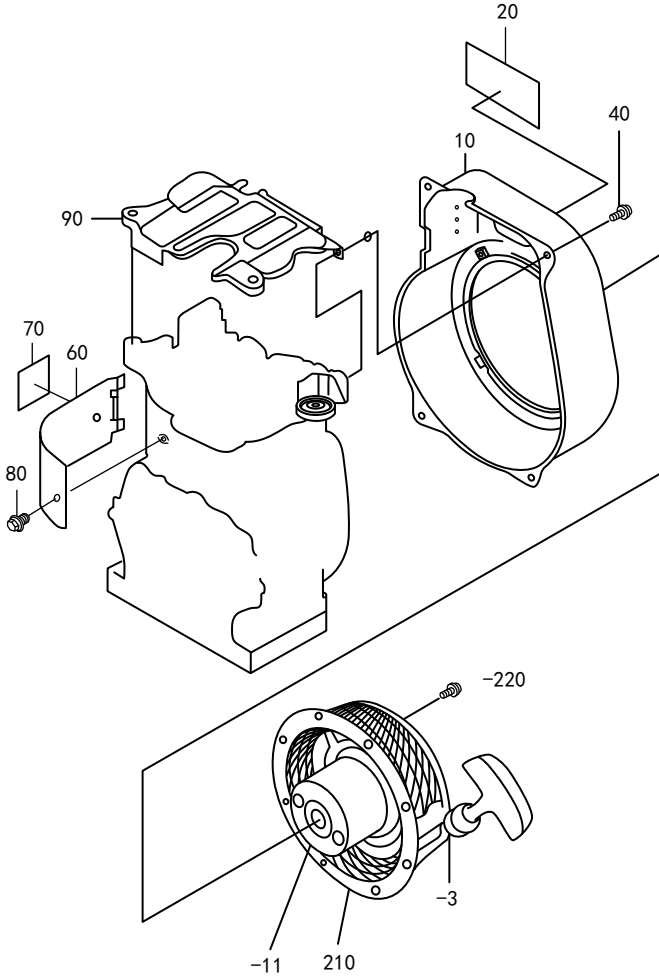


EY15

REF. NO	PART NUMBER	PART NAME	QTY	RAMRKS	FIG. NO
10	281-42302-H1	GOVERNOR LEVER CP	1		400
20	227-42201-H3	GOVERNOR SHAFT	1		400
26	20F-11080-00	WASHER	1		400
30	227-42701-H3	GOVERNOR ROD	1		400
40	227-42801-H3	ROD SPRING CP	1		400
50	003-13060-00	CLIP	2		400
60	X13-00603-20	BOLT&WASHER AY	1		400
70	018-60600-20	NUT	1		400
80	226-42501-H3	GOVERNOR SPRING CP	1		400
310	227-43302-H1	SPEED CONTROL AY	1		400
340	227-43501-H1	STOP PLATE CP	1		400
350	227-45002-03	SPRING WASHER	1		400
360	20F-31063-00	SCREW	1		400
370	20F-27060-00	NUT	1		400
380	20F-00600-30	FLANGE BOLT	1	M6x1.0x20L	400

5 COOLING, STARTING

FIG. 500

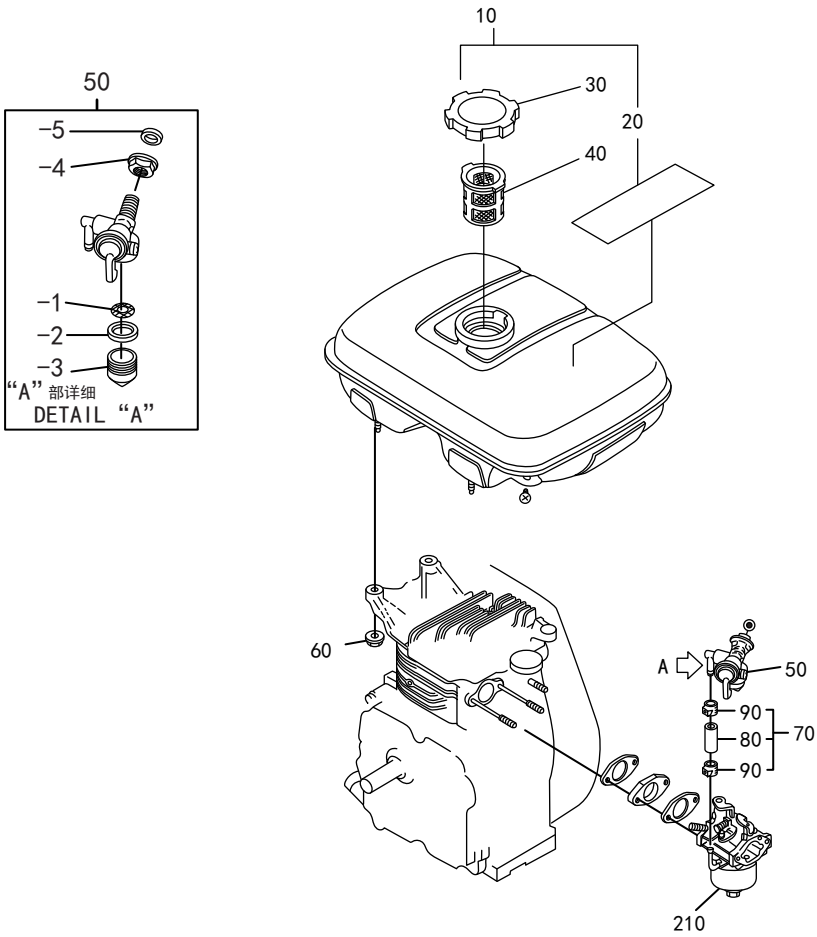


EY15

REF. NO	PART NUMBER	PART NAME	QTY	RAMRKS	FIG. NO
10	281-51203-K1	BLOWER HOUSING CP	1	YELLOW	500
20	281-95103-H3	LABEL (TRADE MARK)	1		500
40	20F-00600-21	FLANGE BOLT	4	M6x1.0x14L	500
60	226-52601-H3	CYLINDER BAFFLE CP	1		500
70	281-91871-J3	LABEL (ENGINE NAME)	1		500
80	20F-00600-10	FLANGE BOLT	1		500
90	226-52701-H3	HEAD COVER	1		500
210	226-50711-L0	RECOIL STARTER AY	1		500
-3	227-50101-10	STATER ROPE	1		500
-11	226-50149-18	STARTER PULLEY	1		500
220	20F-00600-10	FLANGE BOLT	4	M6x1.0x8L	500

6 FUEL, LUBRICANT

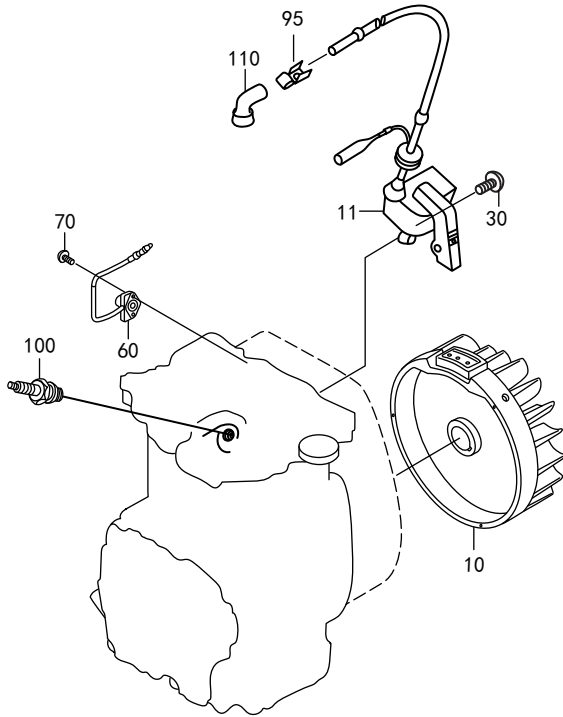
FIG. 600



REF. NO	PART NUMBER	PART NAME	QTY	RAMRKS	FIG. NO
10	226 60175-L0	FUEL TANK CP	1	YELLOW	600
20	X73-20044-50	LABEL (CAUTION)	1		600
30	X43-04300-10	FUEL TANK CAP CP	1		600
40	X64-13600-10	FUEL FILTER	1		600
50	X64-20118-00	FUEL STRAINER AY	1		600
-1	064-20064-20	FILTER	1		600
-2	064-20064-10	PACKING	1		600
-3	064-20042-10	CUP, STRAINER	1		600
-4	064-20064-30	NUT	1		600
-5	064-20064-40	PACKING	1		600
60	20F-38060-00	FLANGE NUT	2		600
70	281-62611-H1	FUEL PIPE CP	1		600
80	281-62611-H3	RUBBER PIPE	1		600
90	X56-11100-70	HOSE CLAMP	2	11D	600
210	281-62401-H0	CARBURETOR AY	1	CYCLONE/MIKUNI	600
-1	226-66002-13	PIPE (AIR VENT)	1		
210	281-62301-J0	CARBURETOR AY	1	PUMP/NIKKI	600

7 ELECTRIC DEVICE

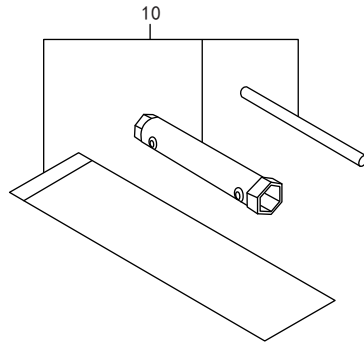
FIG. 700



REF. NO	PART NUMBER	PART NAME	QTY	RAMRKS	FIG. NO
10	281-79201-K1	FLYWHEEL CP	1		700
11	281-79401-K1	IGNITION COIL CP	1		700
30	X11-00606-00	FLANGE BOLT	2	M6X1.0X30L	700
60	X66-00004-71	SWITCH AY	1		700
70	20F-00400-90	TAPPING SCREW	2	ST4.0X10L	700
100	X65-01430-21	SPARK PLUG	1	E6C	700

9 ACCESSORIES

FIG. 900



REF. NO	PART NUMBER	PART NAME	QTY	RAMRKS	FIG. NO
10	227-90301-H0	ACCESSORY TOOL KIT	1		900